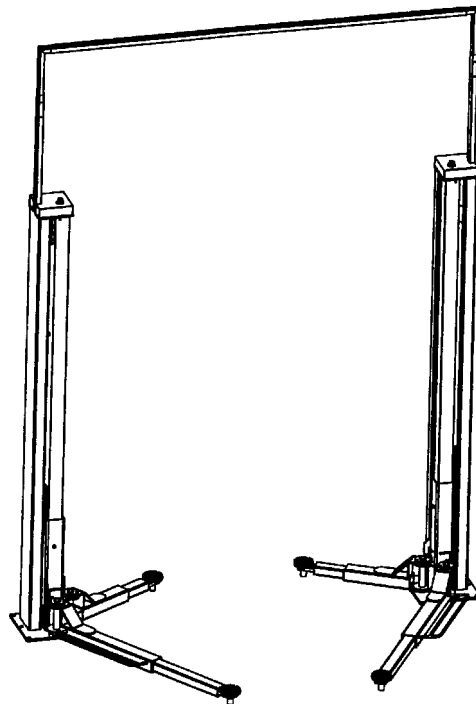


PUßBAUM

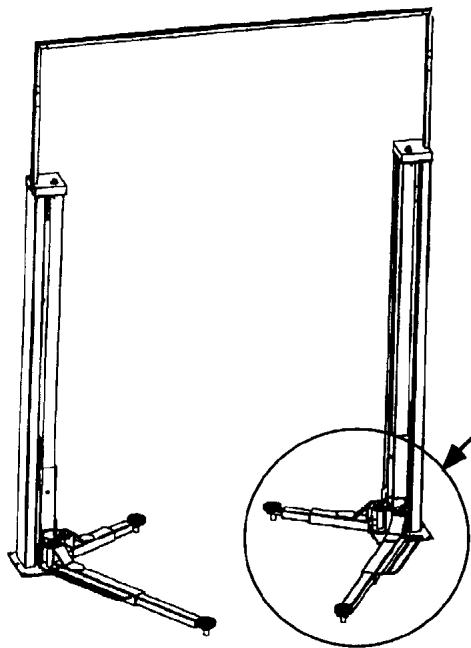
HEBETECHNIK

2.25 SL

valid 09/1996

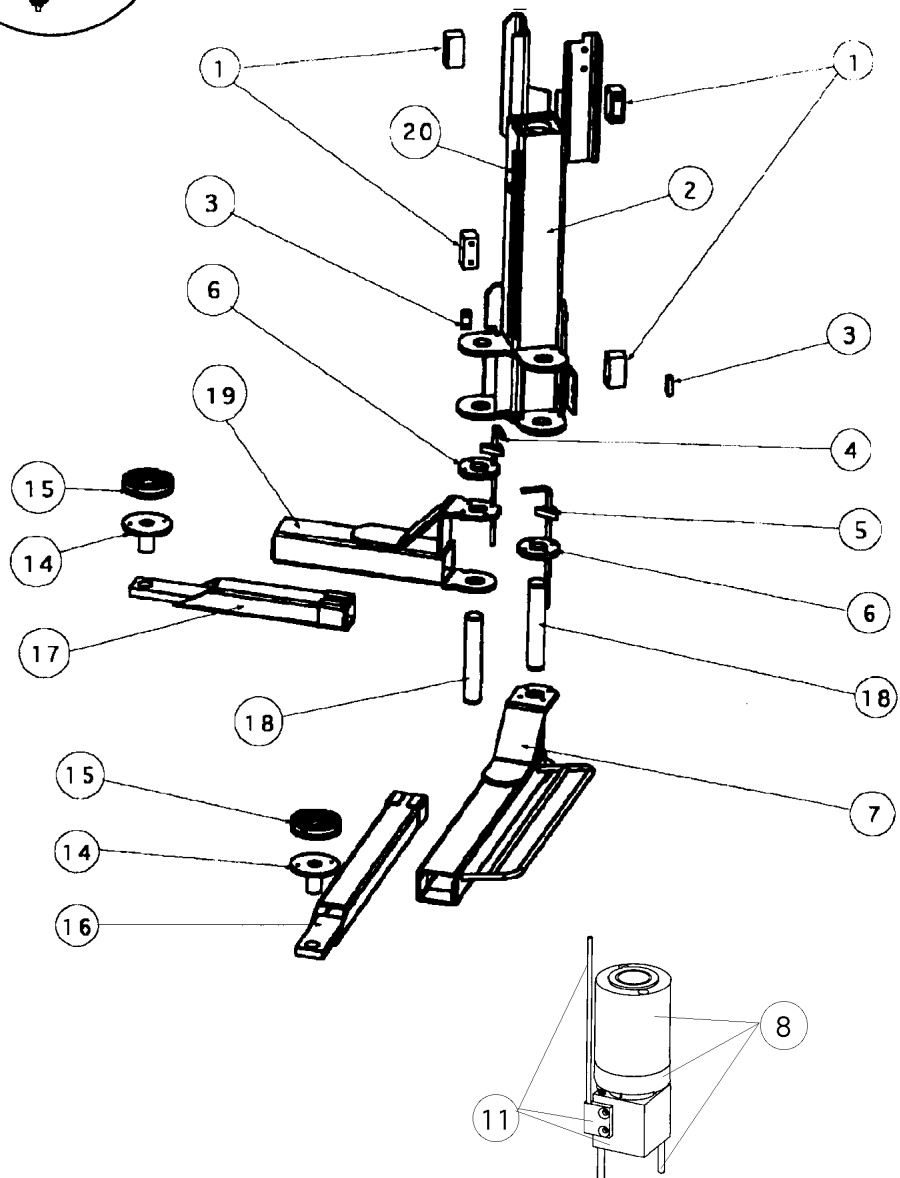


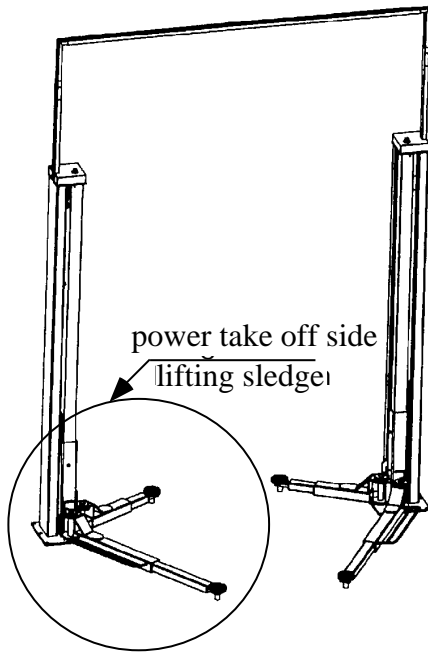
spare parts list



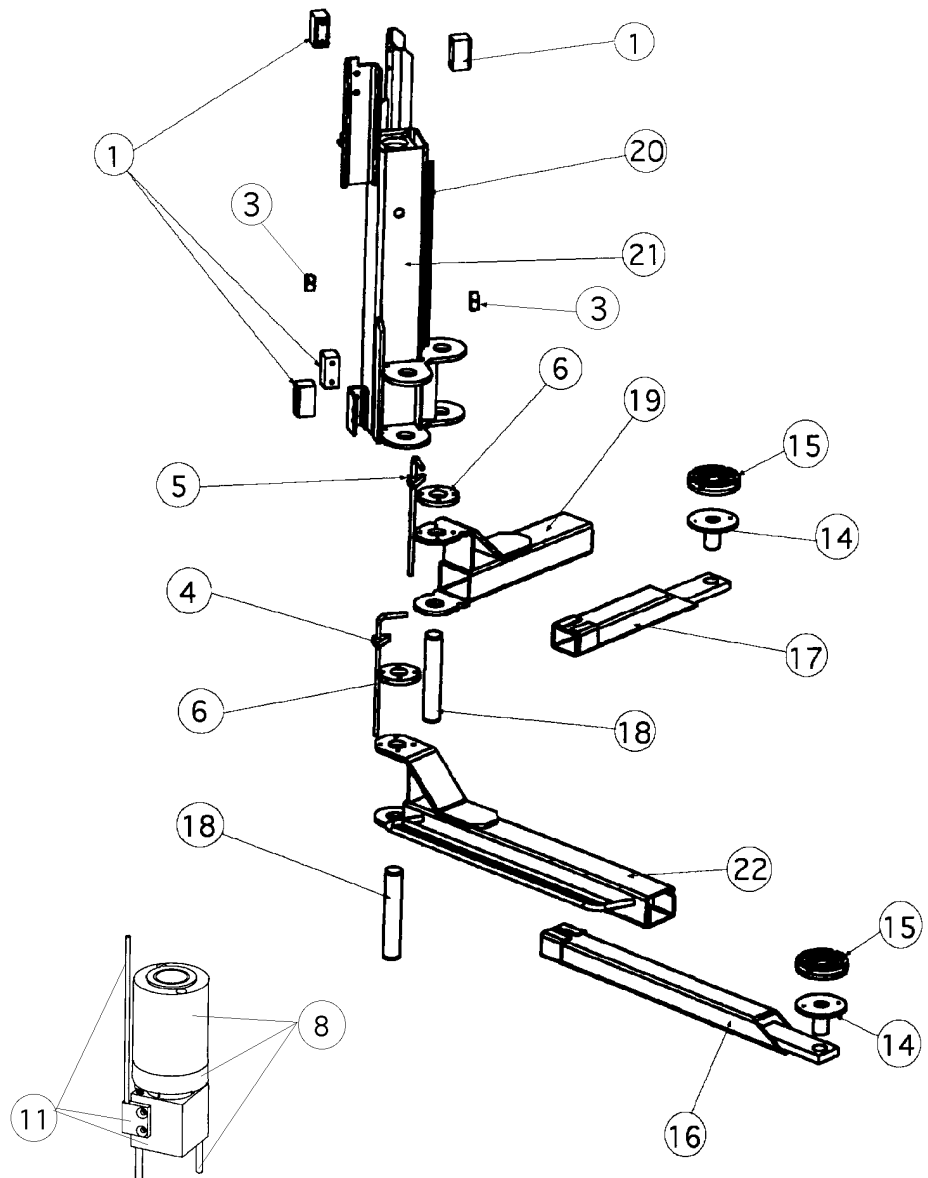
power side

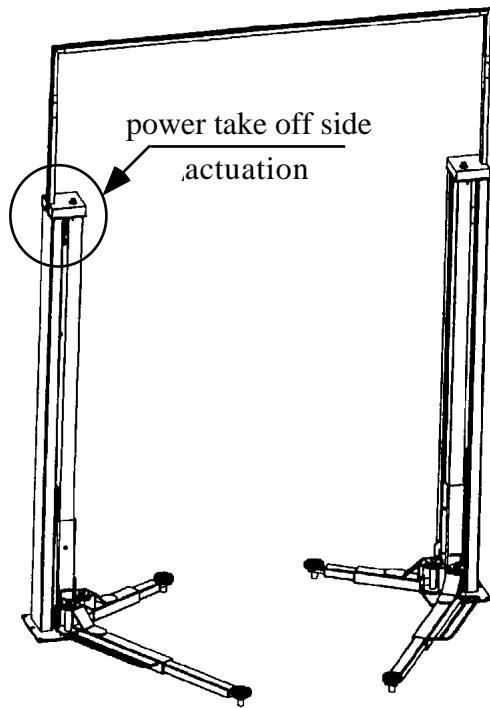
lifting sledge / carrying arms



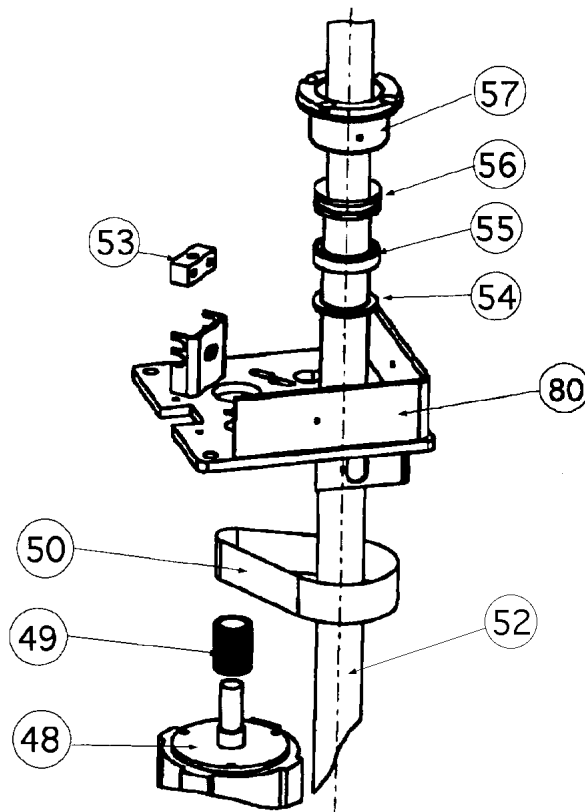


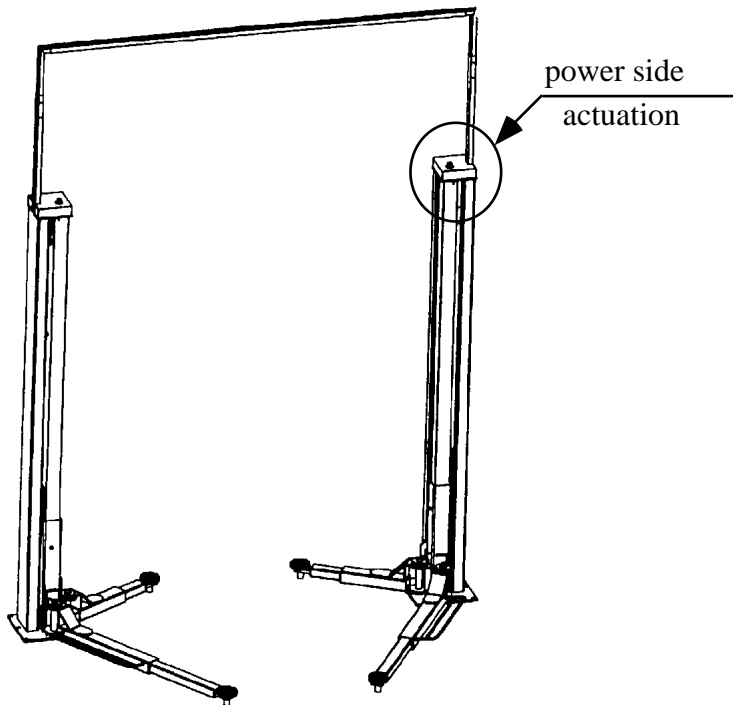
power take off side lifting sledge / carrying arms



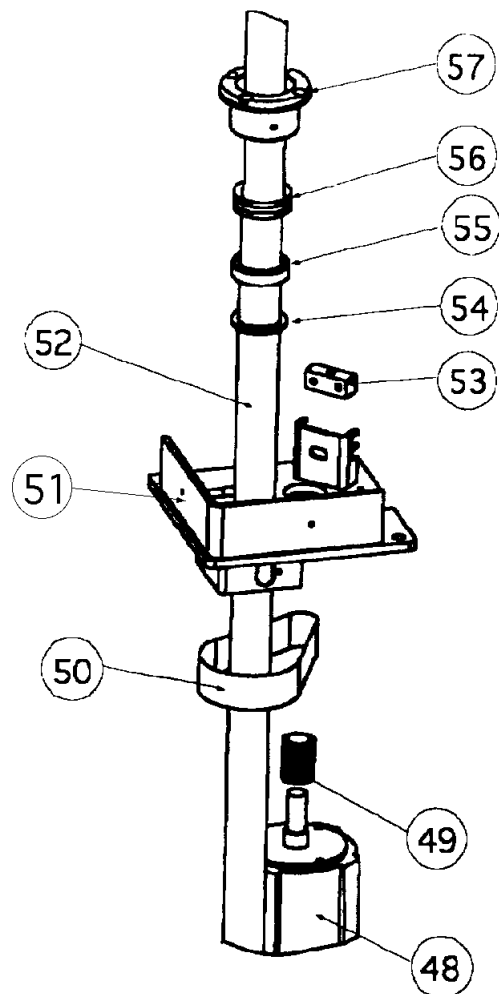


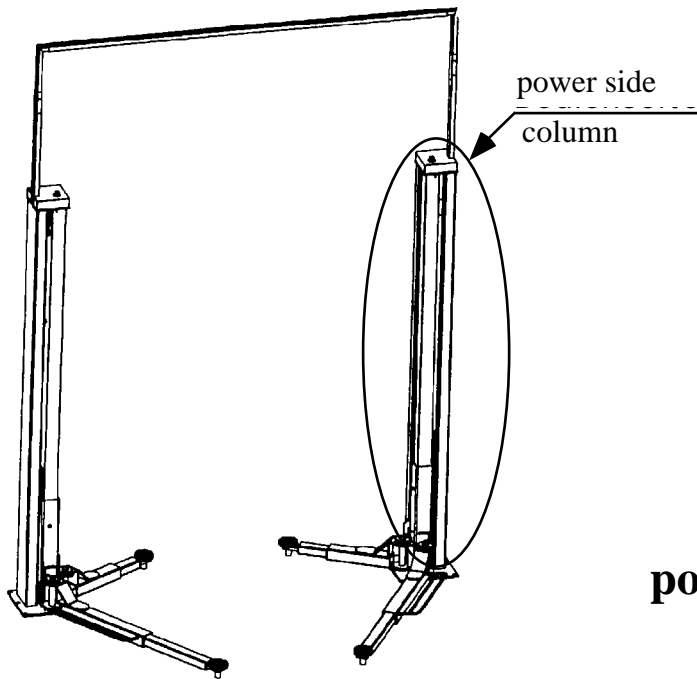
power take off side actuation



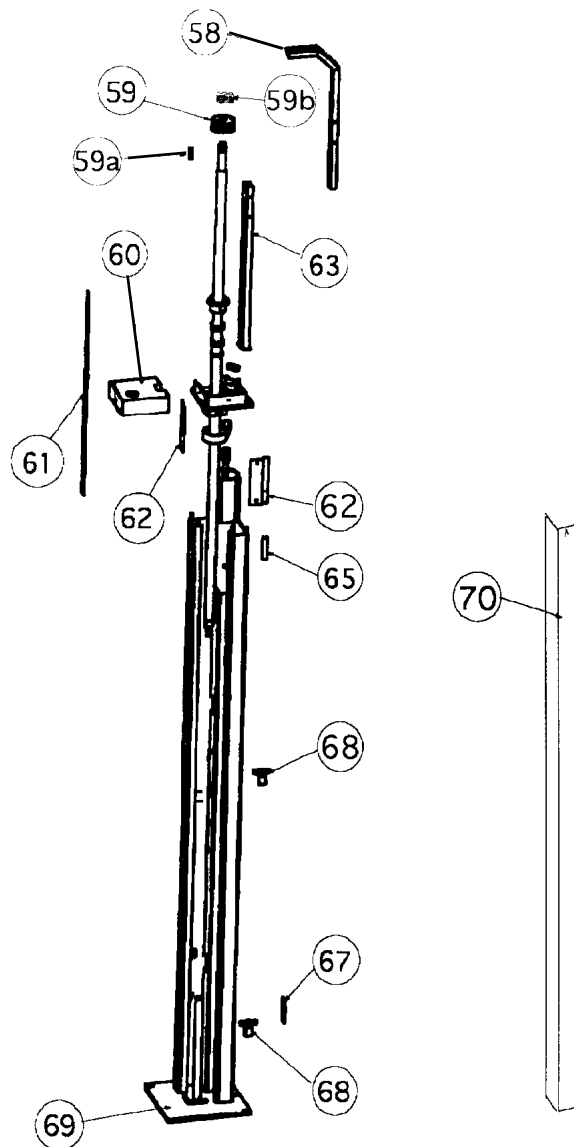


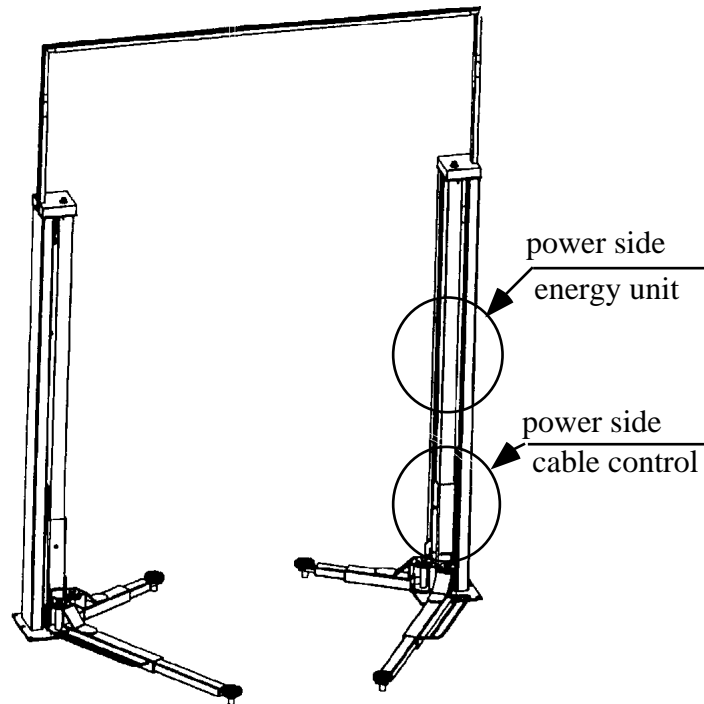
power side actuation





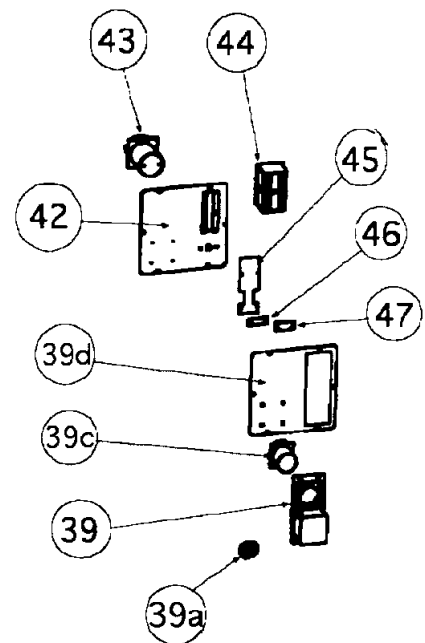
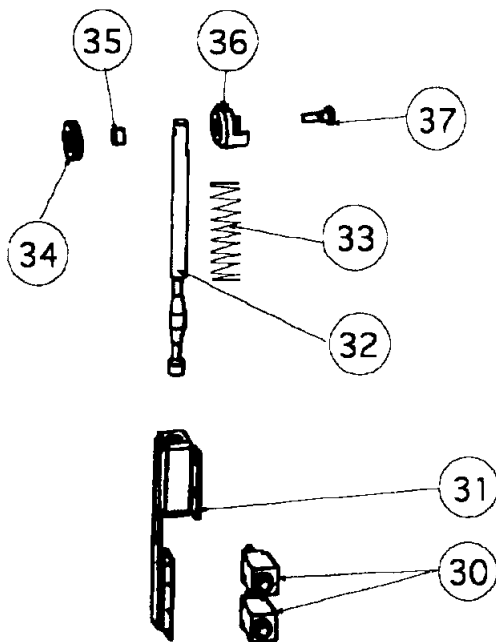
power side

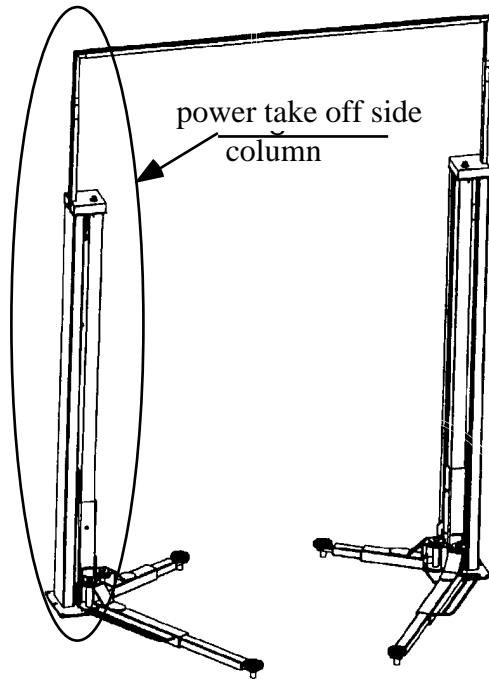




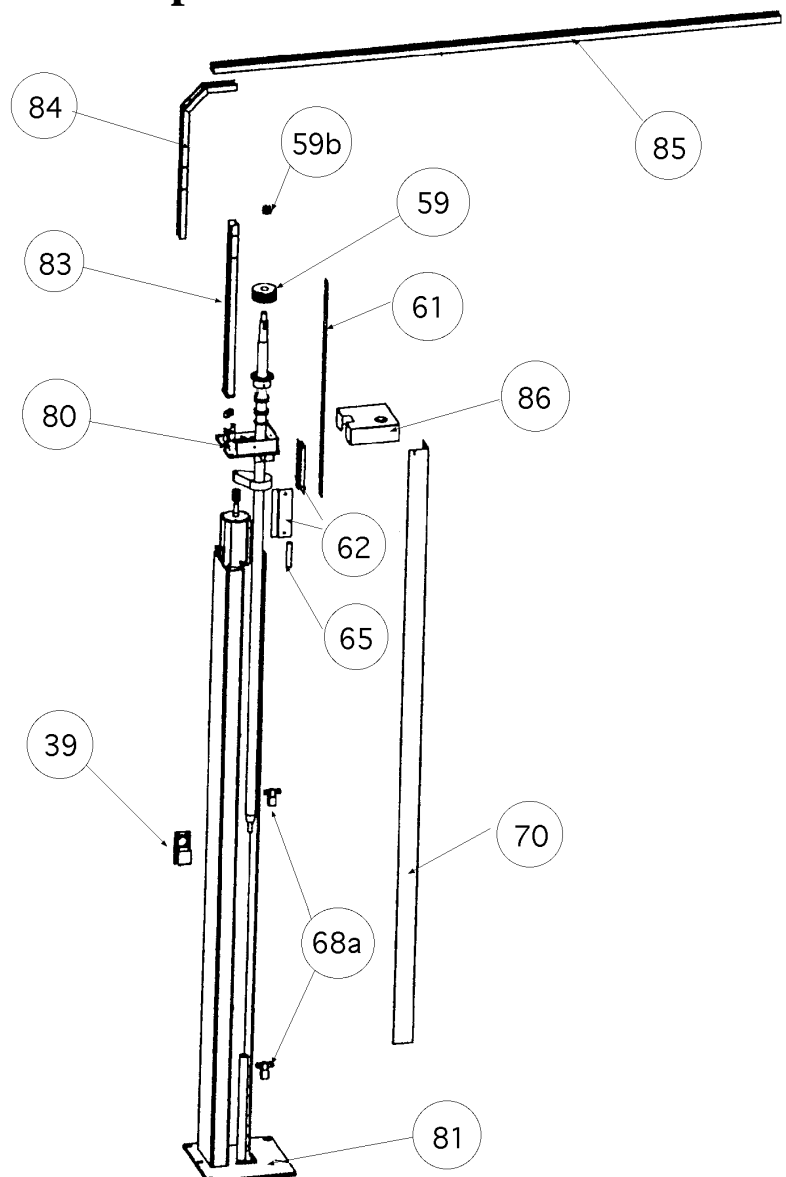
cable control

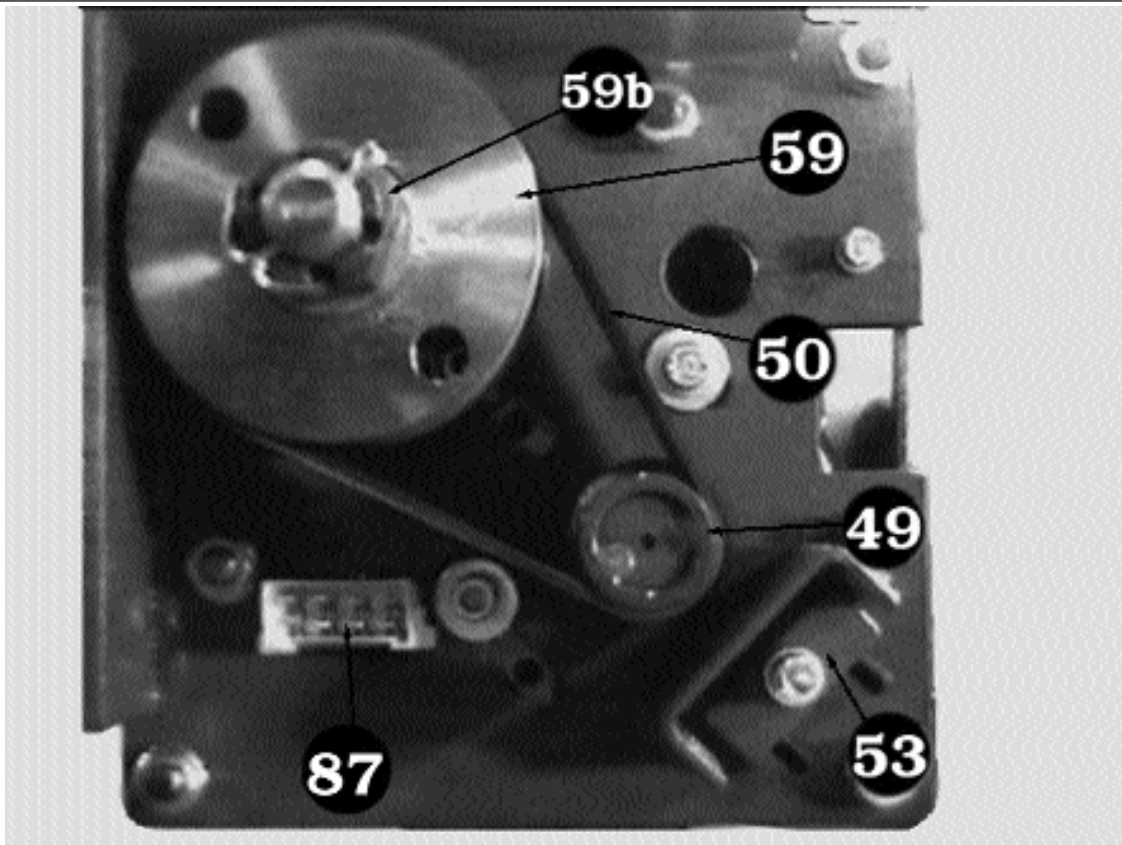
energy unit





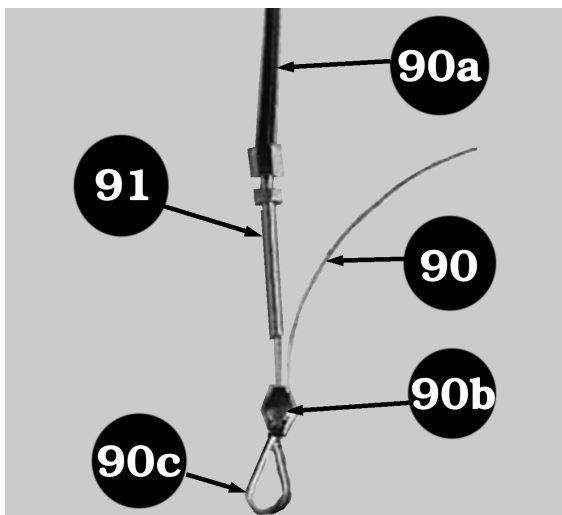
power take off side



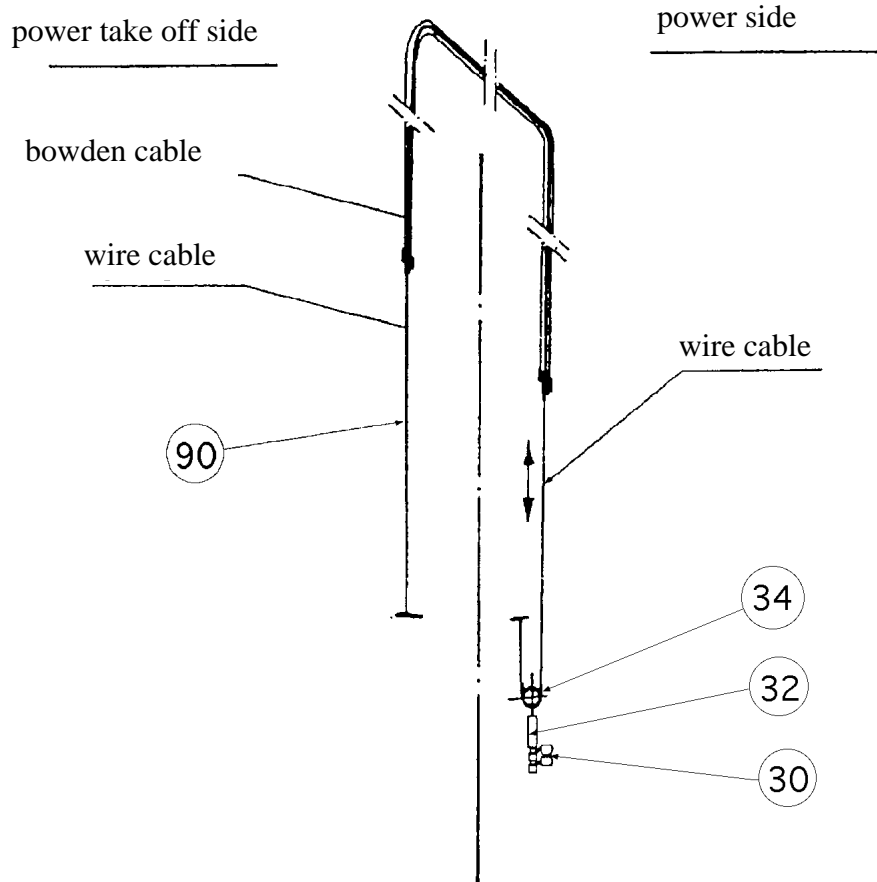


spare parts list 2.25 SL

Nr.	Description	Code
49	Strap disk	225SL02013
50	Optibelt ribbed belt	970699
53	belt stretcher	225SL25026
59	Strap disk	225SL02010
59b	castel nut	9MU935M24X1,5ZN
87	plug unit 8-pole	990410(Male)
87a	plug unit 8-pole	990409(Female)



Nr.	Description	Code
90	wire cable complete	970034
90a	inc.Bowden cable	
90b	inc.Simplex rope clamp	
90c	inc.grommet thimble	
91	rope guide	225SL05040
	hexagon nut	9MU934M06ZN



Ersatzteilliste 2.25 SL

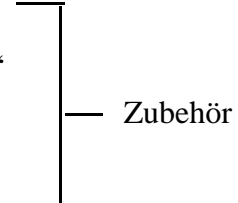
Nr.	Bezeichnung	Code	per Lift
90	wire cable complete	970034	1St.
30	limit switch	990552	2St.
	socket head cap screw	9Z912M04X025ZN	4St.
32	tappet	225S123009	1St.
34	deflection pulley	9225SE03033	1St.

Spare parts list 2.25 SL

Nr.	Description	Code	per Lift
1	sliding block	225SL06033	8St.
	socket head cap screw	9Z912M10X040ZN	16St.
	washer	9SC125M10ZN	20St.
2	lifting sledge operating side	225SL06003	1St.
3	sliding block	225SL06036	4St.
	countersunk head screw	9SE7991M05X20ZN	8St.
	hexagon nut	9MU934M05ZN	8St.
4	fixing of carrying arms	232NSTL28095	2St.
	clamping sleeve	9SH1481DM03X16ZN	2St.
	protective cap	970008	2St.
	pressure spring	9DFD-222SL02ZN	2St.
5	fixing of carrying arms	232NSTL28096	2St.
	clamping sleeve	9SH1481DM03X16ZN	2St.
	protective cap	970008	2St.
	pressure spring	9DFD-222SL02ZN	2St.
6	grown gear	232NSTL08013	4St.
	socket head cap screw	9Z912M08X20ZN	16St.
7	carrying arm long (operating side)	225SL08003	1St.
8	carrying nut complete	225SL02019	2St.
	inc.pin of leadership		
	inc.hexagon nut		
	inc.fixing ring		
	inc.machine screw		
11	sequence nut complete	225SL02022	2St.
	inc.lubricator nipple		
	inc.built-in sheet		
	inc.countersunk head screw		
	inc.threaded rod		
14	pad	225SL08075	4St.
15	elastomer support	901103031	4St.
	countersunk head screw	9SE7991M06X12ZN	8St.
	hexagon nut	9MU934M06ZN	8St.
16	sliding arm long	225SL08019	2St.
17	sliding arm short	225SL08045	2St.
18	bolt	232POW08016	4St.
	shaft ring	970006	8St.

Spare parts list 2.25 SL

Nr.	Description	Code	per Lift
19	sliding arm short	225SL08039	2St.
20	rubber profile	9225SL06003S3	2St.
21	lifting sledge (opposite side)	225SL06053	1St.
22	carrying arm long (opposite side)	225SL08050	1St.
30	limit switch	990552	2St.
	socket head cap screw	9Z912M04X025ZN	4St.
31	mounting sheet	225SL23009	1St.
	socket head cap screw	9Z912M06X08ZN	2St.
32	tappet	225SL23019	1St.
	clamping sleeve	9SH7346DM03X20ZN	1St.
	washer	9SC98822X16X1,5	1St.
33	pressure spring	9DFD-241AZN	1St.
34	deflection pulley	9225SE03033	1St.
35	bearing bush	970033	1St.
36	saftey of the wire cable	225SL03006	1St.
37	bolt	9225SEL03022	1St.
	hexagon nut	9MU934M08ZN	1St.
39	energieset SL complete	225SL05091	1St.
39a	inc.pneumatic coupling 3/8"	960026	1St.
	inc.bush	960027	1St.
39c	inc.socket	990184	1St.
39d	inc.seal	225SL09007	1St.
42	operatingelement	225SL09003	1St.
43	reversing switch	990018	1St.
44	up contactor	990214	2St.
45	strain relief	225SL23012	1St.
46	strain relief	225SL03015	1St.
47	strain relief	225SL03018	1St.
48	motor	96012401	2St.
	socket head cap screw	9Z912M08X25ZN	6St.
49	strap disk	225SL02013	2St.
50	Optibelt ribbed belt	970699	2St.
51	head metal sheet	225SL05015	1St.
52	spindle	225SL02006	2St.



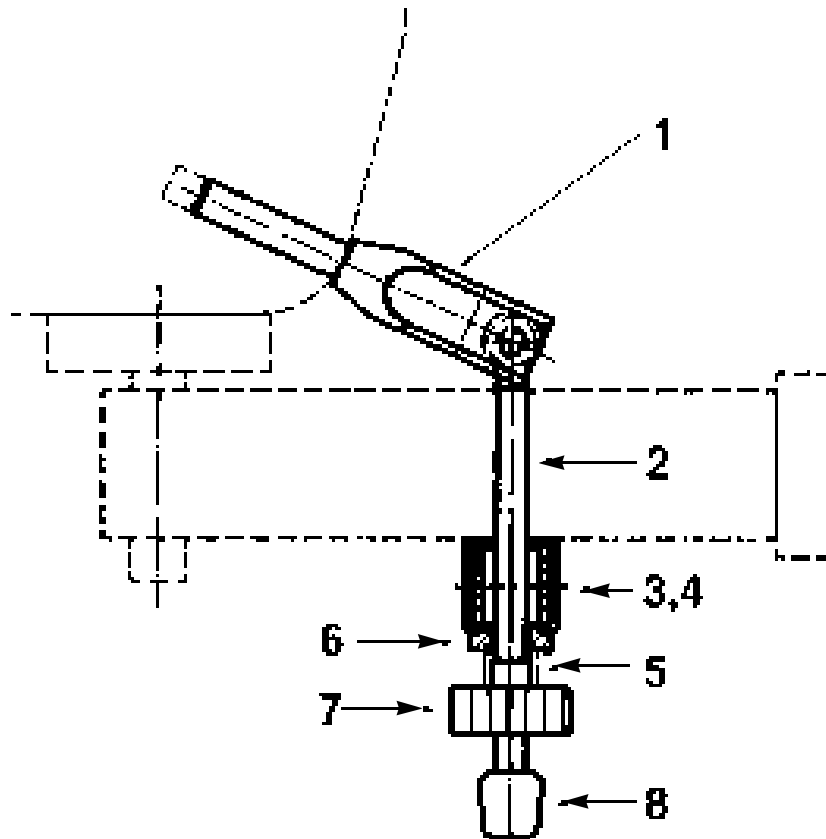
Spare parts list 2.25 SL

Nr.	Description	Code	per Lift
53	belt stretcher	225SL25026	2St.
	socket head cap screw	9Z912M08X45ZN	2St.
	threaded rod	9GS913M08X40ZN	4St.
54	washer	22505057	2St.
55	radial bearing	970029	2St.
56	axial bearing	970028	2St.
57	bearing housing	225SL25031	2St.
58	rising pipe (operating side)	225SL25073	1St.
59	strap disk	225SL02010	2St.
59a	feather key	9PF6885510X12X25	2St.
59b	castel nut	9MU935M24X1.5ZN	2St.
	split spin	9SP94DM05X050ZN	2St.
60	covering box (operating side)	225SL09012	1St.
	countersunk head screw	9SE7991M05X06ZN	2St.
	rosette	970010	2St.
61	covering sheet	225SL05078	2St.
62	optical limitation	225SL09010	4St.
	socket head cap screw	9Z912M08X08ZN	8St.
63	rising pipe (operating side)	225SL05070	1St.
	socket head cap screw	9Z912M06X16	2St.
65	PG-pipe	225SL01006S1	2St.
66	limit switch	990003	2St.
	socket head cap screw	9Z912M05X25ZN	4St.
67	covering sheet	225SL09018	1St.
	countersunk head screw	9SE7991M5X06ZN	2St.
	rosette	970010	2St.
68	limit switch (operating side)	990003	2St.
	socket head cap screw	9Z912M05X25ZN	4St.
68a	limit switch (opposite side)	990062	2St.
	socket head cap screw	9Z912M05X25ZN	4St.
69	lifting sledge (operating side)	225SL05003	1St.
70	covering sheet	225SL09008	2St.
	countersunk head screw	9SE7991M05X06ZN	2St.
	rosette	970010	2St.

Spare parts list 2.25 SL

Nr.	Description	Code	per Lift
80	head metal sheet (opposite side)	225SL05016	1St.
81	lifting sledge (opposite side)	225SL05053	1St.
82	energieset complete (accessories)	225SL05091	
82	or covering sheet (standard)	225SL09021	1St.
	countersunk head screw	9SE7991M05X06ZN	4St.
83	rising pipe (opposite side)	225SL05071	1St.
	socket head cap screw	9Z912M06X10ZN	2St.
	rising pipe(opposite side)	225SL05075	1St.
85	supporting tube	225SL05083	1St.
86	covering box (opposite side)	225SL09015	1St.
	countersunk head screw	9SE7991M05X06ZN	2St.
	rosette	970010	2St.
87	plug unit 8-pole	990410M	2St.
	plug unit 8-pole	990409W	2St.
	accessory - tool picture 7	225SL13000	1St.

Saftey device



Saftey device to plug in, in the vehicle (device for the jack). This device is with clamping elements and a pipe for the connection

Nr.	Description	Code	per lift
--	saftey device complete	232SEL28235	1 set = 2 piece
1	saftey device for the bolt	232SEL28184	spare part
2	Augenschraube	232SEL28186	spare part
3	Quertraverse VK-Rohr 60	232SEL28190	spare part
4	Schiebestück VK-Rohr 50	232SEL28195	spare part
5	Druckfeder	9DFD-359BZN	spare part
6	Kalotte	232SEL28252	spare part
7	Rändelmutter	232SEL28185	spare part
8	Aufschraubkappe	232SEL28198	spare part