

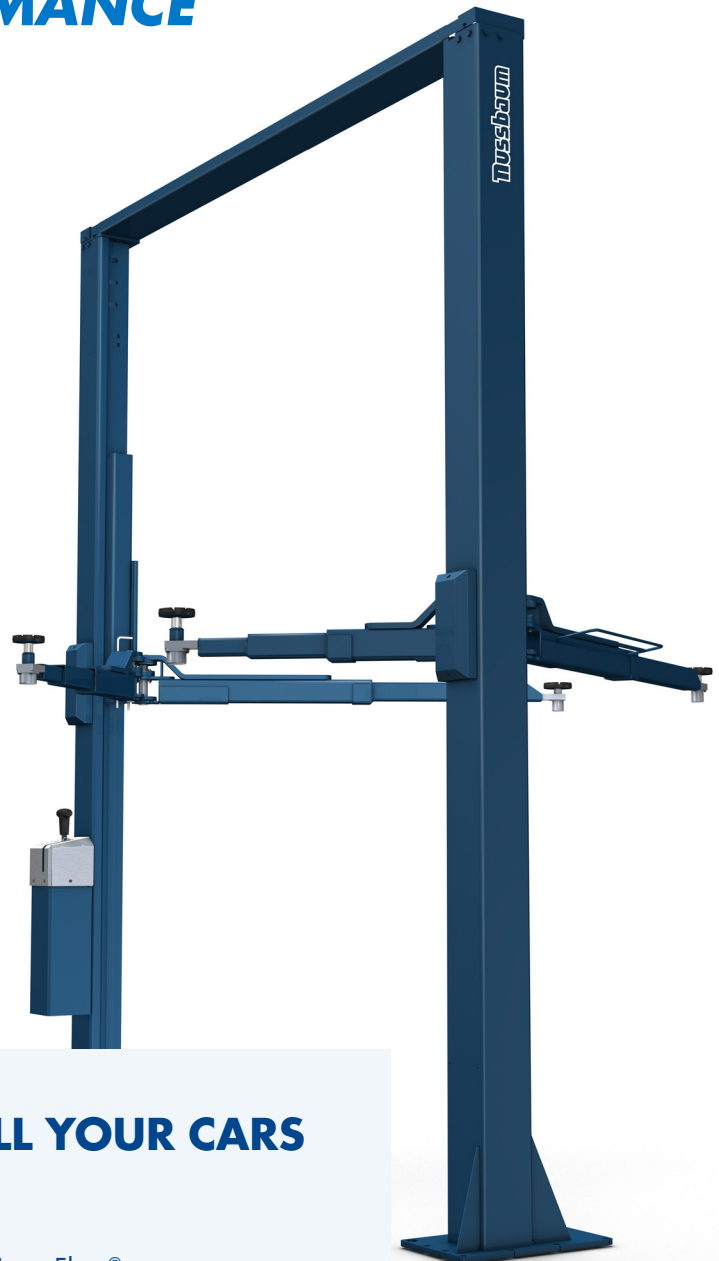


HYDRAULIC 2-POST LIFT

# POWER LIFT HF

**SAFETY AND PERFORMANCE**

WITH PATENTED  
**HyperFlow®**  
technology



## THE BEST 2-POST LIFT FOR ALL YOUR CARS

- ✓ Solid steel construction
- ✓ NUSSBAUM's hydraulic synchronization system HyperFlow®
- ✓ Integrated passive safety lock
- ✓ Perfect for passenger cars, heavy vehicles like SUVs, transporters and vans up to 4600 KG

**4600 KG**



HYDRAULIC 2-POST LIFT

# POWER LIFT HF

## The best quality 2-cylinder lift

The POWER LIFT HF features the patented HyperFlow® technology and a mechanical lock: it guarantees you perfect synchronization of the lift at all times.

With HyperFlow® hydraulic technology and its automatic safety locks, it combines premium hydraulic technology and mechanical safety.

### A practical and enduring lift

- ✓ One hand operation with NUSSBAUM commander
- ✓ NUSSBAUM commander allows for smooth and exact lowering of the lift to the desired position at variable speeds
- ✓ Height of the columns can be adapted upon installation with optional column extension



**VARIABLE HEIGHT**  
+600 mm with optional column extension

## 3 reasons why the POWER LIFT HF is low maintenance

### Reduced use of hydraulic oil

HyperFlow®-Technologie: All time optimum, permanent, constant synchronization of the lift. By means of an "overflow channel" the synchronism is automatically set/corrected at any time during operation when the vehicle is raised to the maximum.

### No cables, no pulleys

No additional mechanical synchronization systems required.

### No hydraulic hoses

In the POWER LIFT HF, all hydraulic connections are solid steel pipes. These steel pipes are maintenance free during the lifetime of the lift.



### POWER LIFT HF: COMBINING HYDRAULIC PERFORMANCE AND MECHANICAL SAFETY

## LESS DOWN TIME, MORE DO-TIME

- With a lifting capacity of 4600 kg, the POWER LIFT HF can lift a wide range of vehicles
- In conjunction with the HyperFlow® technology the synchronization of the two carriage arms is guaranteed at all times
- Less wear on parts, less down time for maintenance



Scope of supply: telescopic asymmetric arms



Optimal door clearance with asymmetric arms



Automatic locking of lifting arm



## THE POWER LIFT HF IN NUMBERS

POWER LIFT HF	HF 4600
Lifting capacity (kg)	4600
Lifting/lowering time approx. (sec)	35/24
Lifting height (mm)	1950
Lowest lifting point (mm)	115-190
Total height (mm)	4090/4690*
Total width (mm)	3250
Drive-through width (mm)	2497
Distance between columns (mm)	2750
Arm extraction long (mm)	1130-1840
Arm extraction short (mm)	570-1160
Power supply (V/Hz)	400/50/16
Motor (kW)	3

\* +600 mm with optional column extension

### ACCESSORIES



Height adapter 44 mm



Height adapter 155-245 mm



U-form adapter 150-233 mm



Lashing straps (2 units)



Drive-on tables (4 units)

**More accessories  
 available**