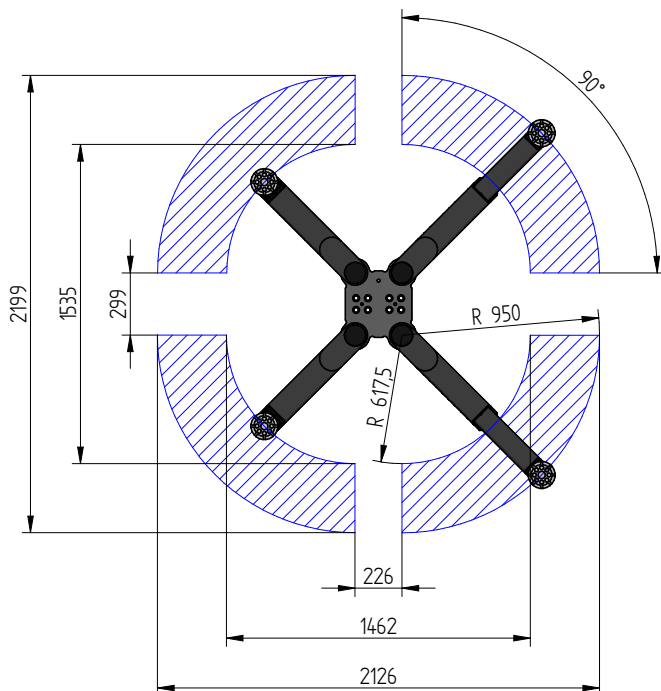
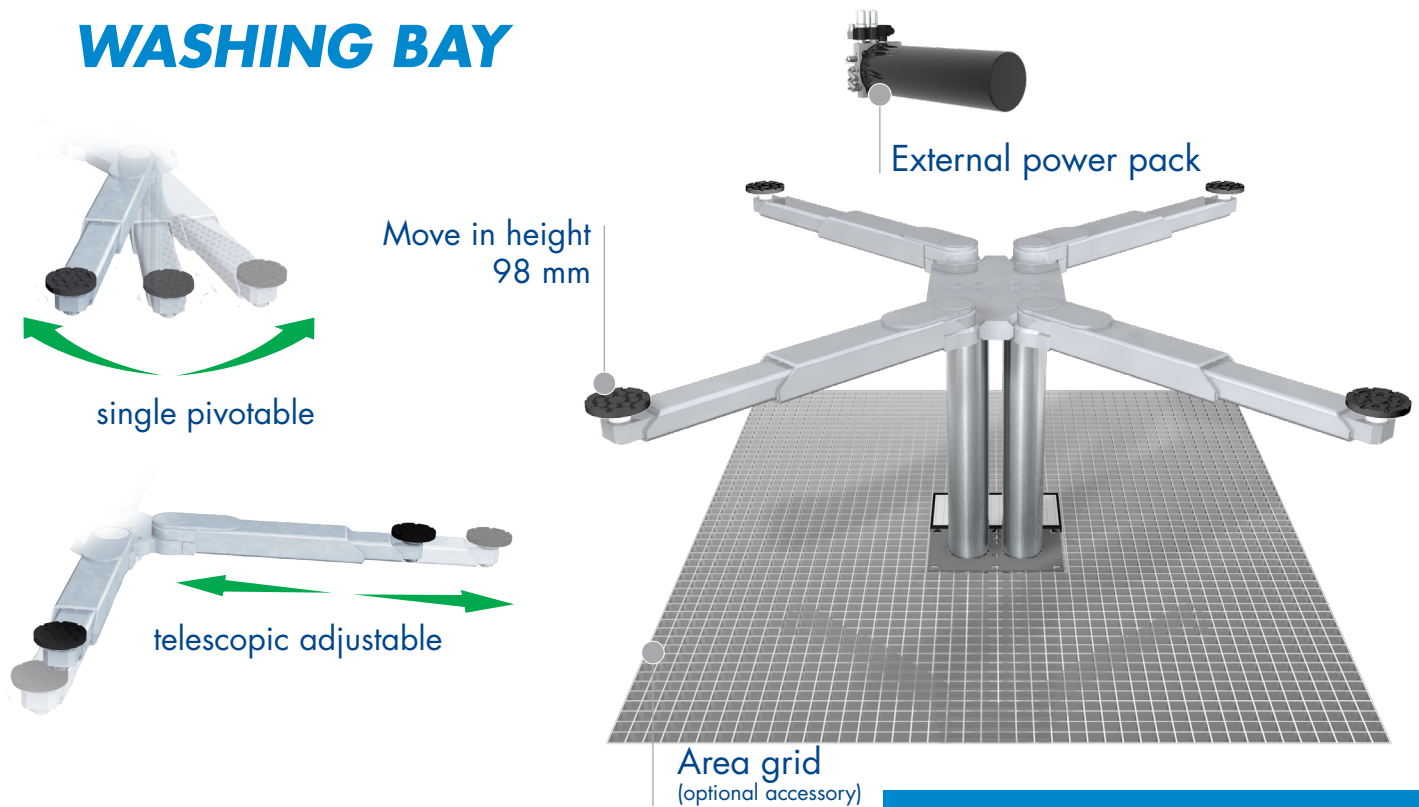


INGROUND 1-PISTON LIFT

TOP LIFT 1.35 TLX

WASHING BAY



TECHNICAL DATA

Capacity	3500 kg
Effective raise height	2067 mm
Move in height	98 mm
Piston diameter	123 mm
Installation depth	2408 mm
Motor output	3,0 kW
Power connector	400 V/16 A
Cable length to control	11 m
Lifting time	≈ 35 sec.
Lowering time	≈ 35 sec.

X-Arms galvanized 0016774

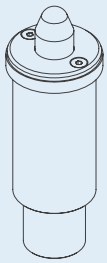
Installation cassette 1-piston galvanized 0016780

Lifting unit 3,5 t 1-piston - K
pre-assembled in installation cassette 0016778

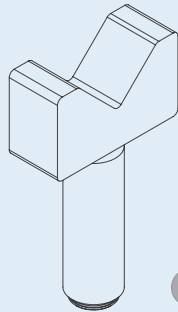
Lifting unit 3,5 t 1-piston - H
packed in wooden box 0016783



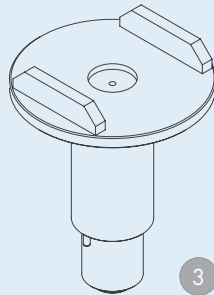
ACCESSORIES



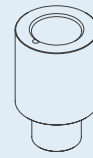
1



2



3



4



5

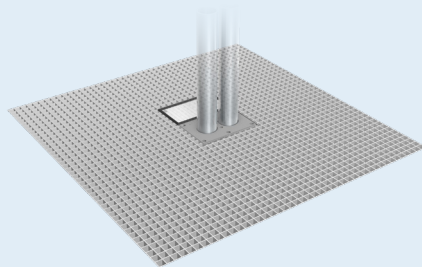
1 | **Stacking adapter NCV3**
d 45 x d 70 / 125-250 mm
0016743 (1set / 2 pcs.)

3 | **Stacking adapter U-form**
d 130 x d 45 / 193-295 mm
0016745 (1set / 4 pcs.)

5 | **Stacking adapter extension**
130 mm
0016742 (1set / 4 pcs.)

2 | **Stacking adapter V-prism**
d 45 / 182-312 mm
0016744 (1set / 2 pcs.)

4 | **Stacking adapter extension**
80 mm
0016741 (1set / 4 pcs.)



Area grid
4000 x 2400 mm
0017228



**Cover for external
power pack and control**
0016761