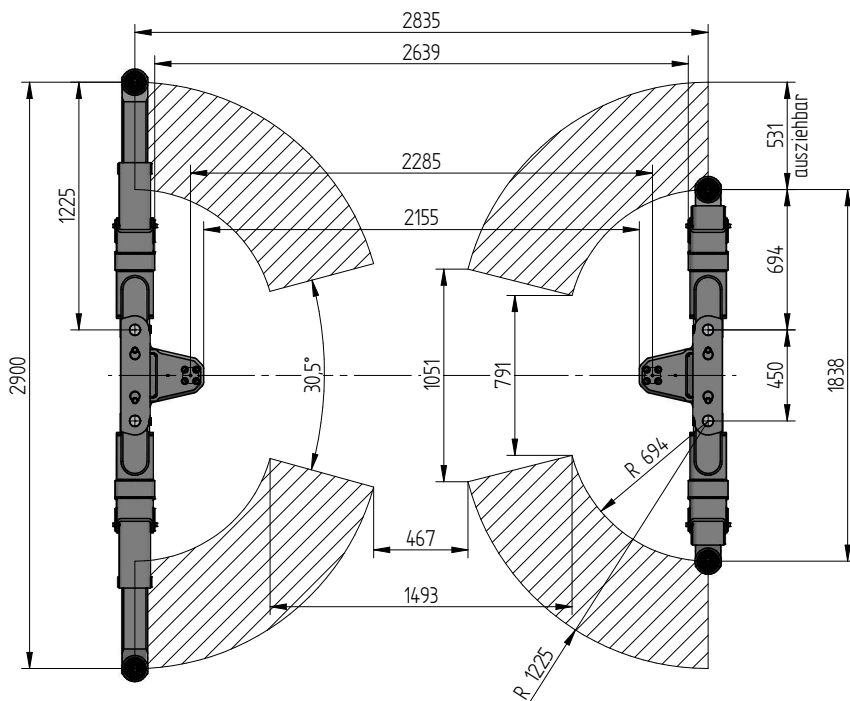
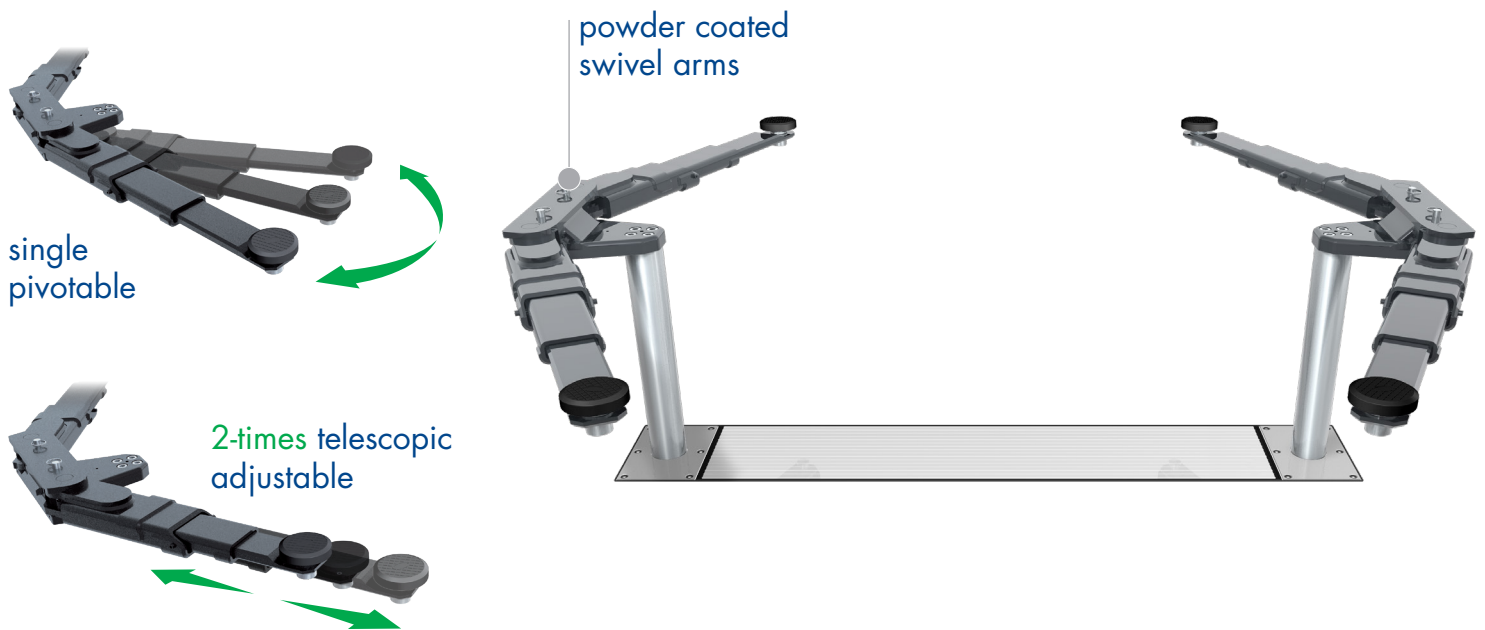


INGROUND 2-PISTON LIFT

TOP LIFT 2.35 TLK

SURFACE MOUNTED



TECHNICAL DATA

Capacity	3500 kg
Effective raise height	2048 mm
Move in height	90 mm
Piston diameter	123 mm
Piston distance	2285 mm
Installation depth	2408 mm
Motor output	3,0 kW
Power connector	400 V/16 A
Cable length to control	11 m
Lifting time	≈ 35 sec.
Lowering time	≈ 35 sec.

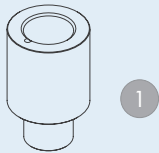
Arms 2.35 TLK 0015743

Installation cassette 2285 mm 0015744

Lifting unit 3,5 t 2285 mm - K
pre-assembled in installation cassette 0015745

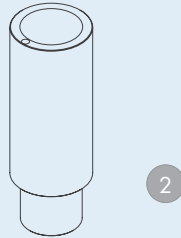


ACCESSORIES



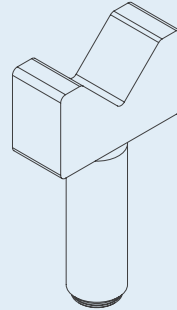
1

- 1 | Stacking adapter extension
89 mm
d 50 x 89 mm
0016747 (1Set / 4 Pieces)



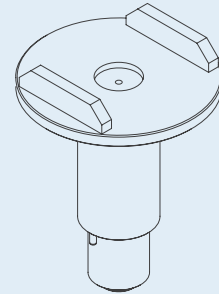
2

- 2 | Stacking adapter extension
127 mm
d 50 x 127 mm
0016746 (1Set / 4 Pieces)



3

- 3 | Stacking adapter V-shape
d 50 / 87 - 130 mm
0016748 (1Set / 4 Pieces)



4

- 4 | Stacking adapter U-form
d 50
0016749 (1Set / 4 Pieces)



- Bracket for stacking-adapter extension
0016751

- Rim protector
0015746 (1Set / 2 Pieces)

- Wheel fork adapter 2.35 TLK
0016751 (1Set / 4 Pieces)