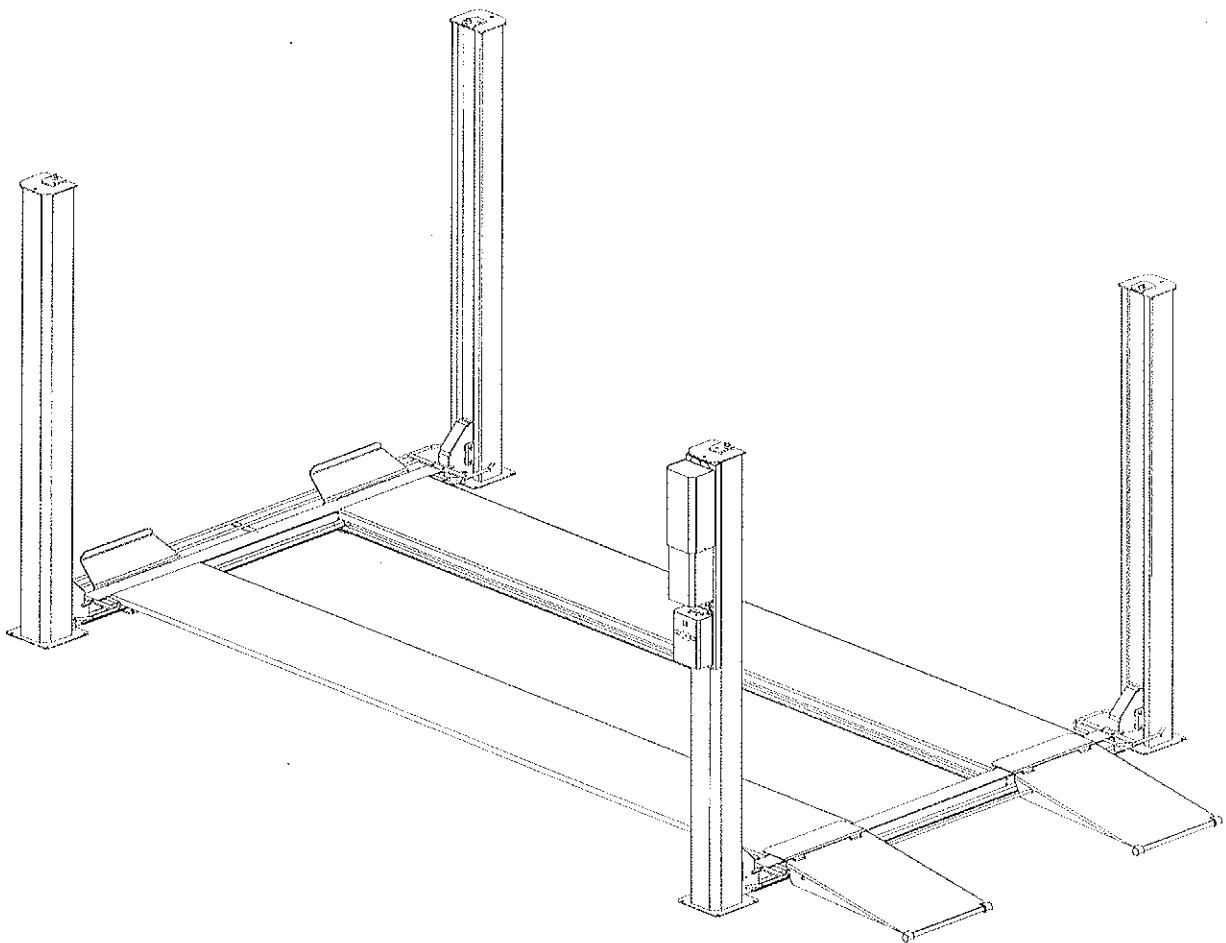


WUPPBAUM

HEBETECHNIK

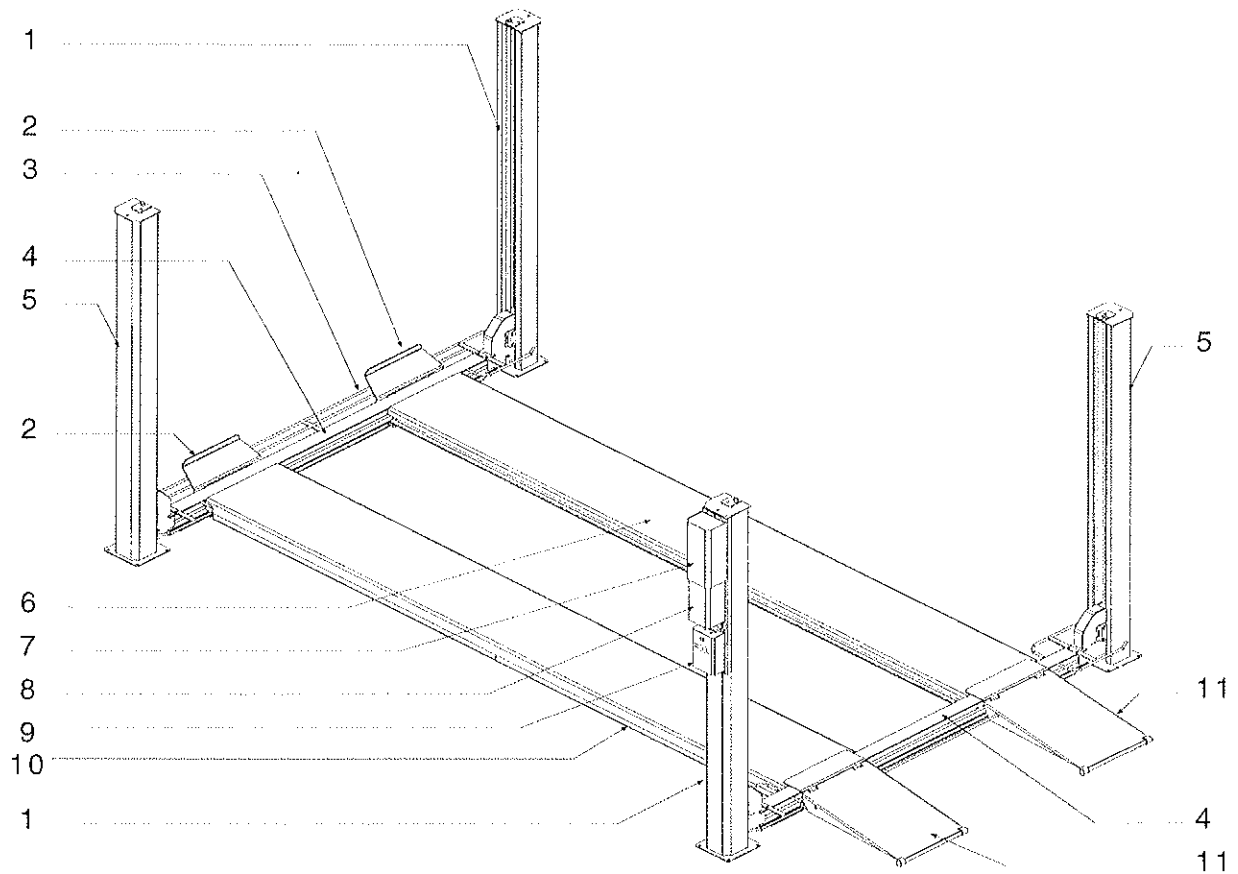
4.40 H



Spare parts list

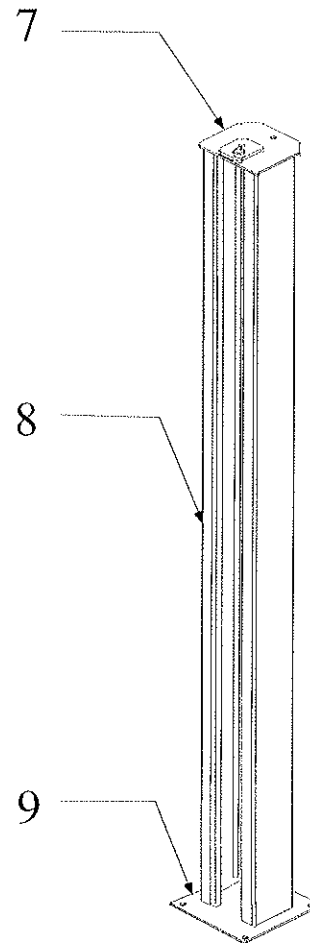
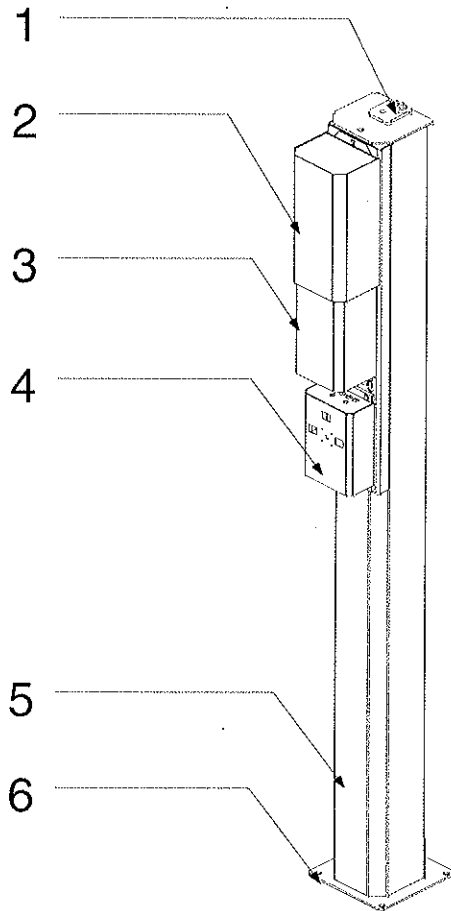
serial-number.....

Spare parts list assembly

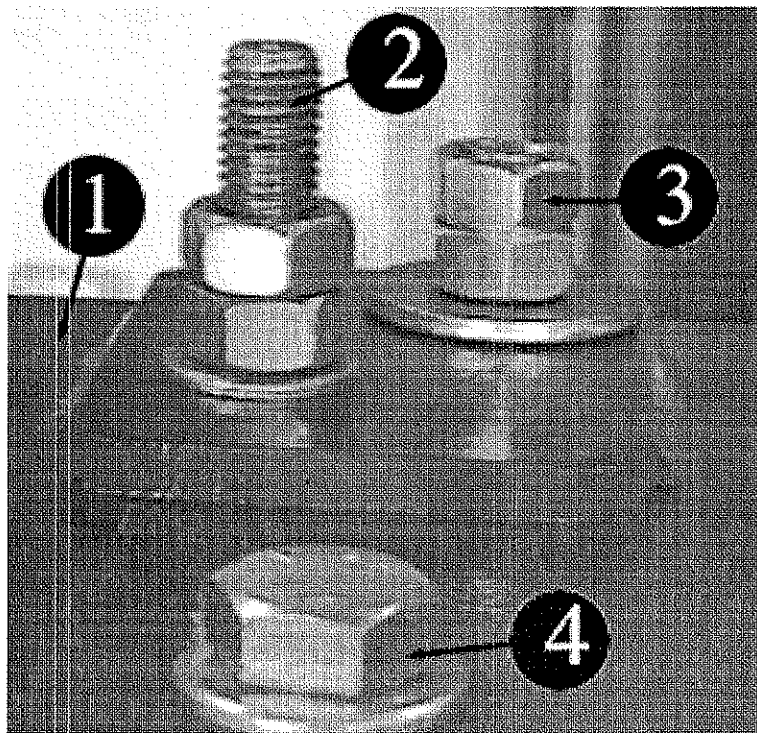


Nr.	Description	Code
1	column	430H05003
2	roll off safety	430H08081
3	foot protection	440H06117
4	traverse	440H06212
5	column	430H05040
6	runway, power-take-off side	440H08040
7	motor covering	232POW09021
8	oil-tank	232POW01010
9	electrical box	430H03045
10	switch off strip	440H08050
11	ramp	440H08063

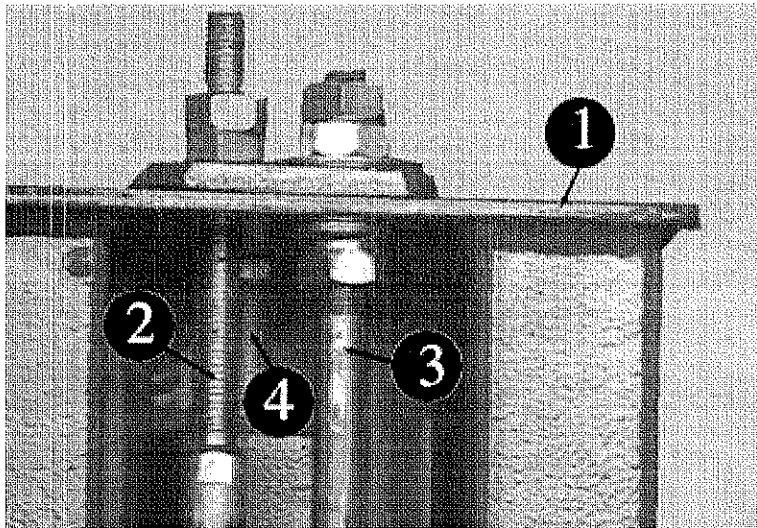
Spare parts list of columns



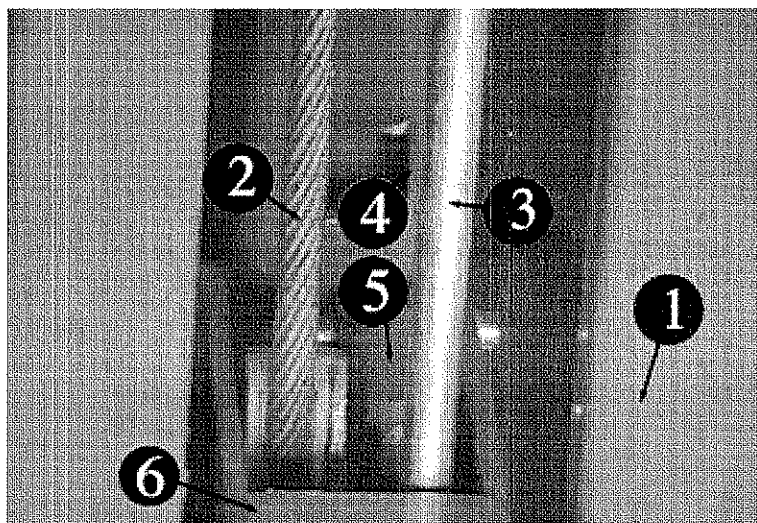
Nr.	Description	Code
1	stopping rod	430H05050
2	motor covering	232POW09021
3	oil-tank	232POW01010
4	electrical box	430H03045
5	column (operating column)	430H05005
6	base plate	430H05008
7	head plate	430H05011
8	column	430H05005
9	base plate	430H05008



pic. 1 and pic. 2: column top side

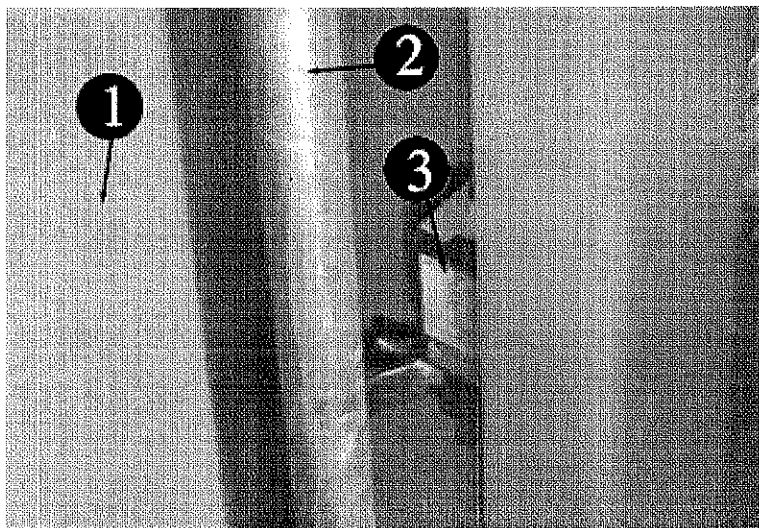


Nr.	Description	Code
1	column	430H05040
2	endterminal for rope "Betalift"	see rope-system
3	stopping rod (4 pieces)	430H05050
4	ratchet strip	430H05017



pic. 3: column/traverse

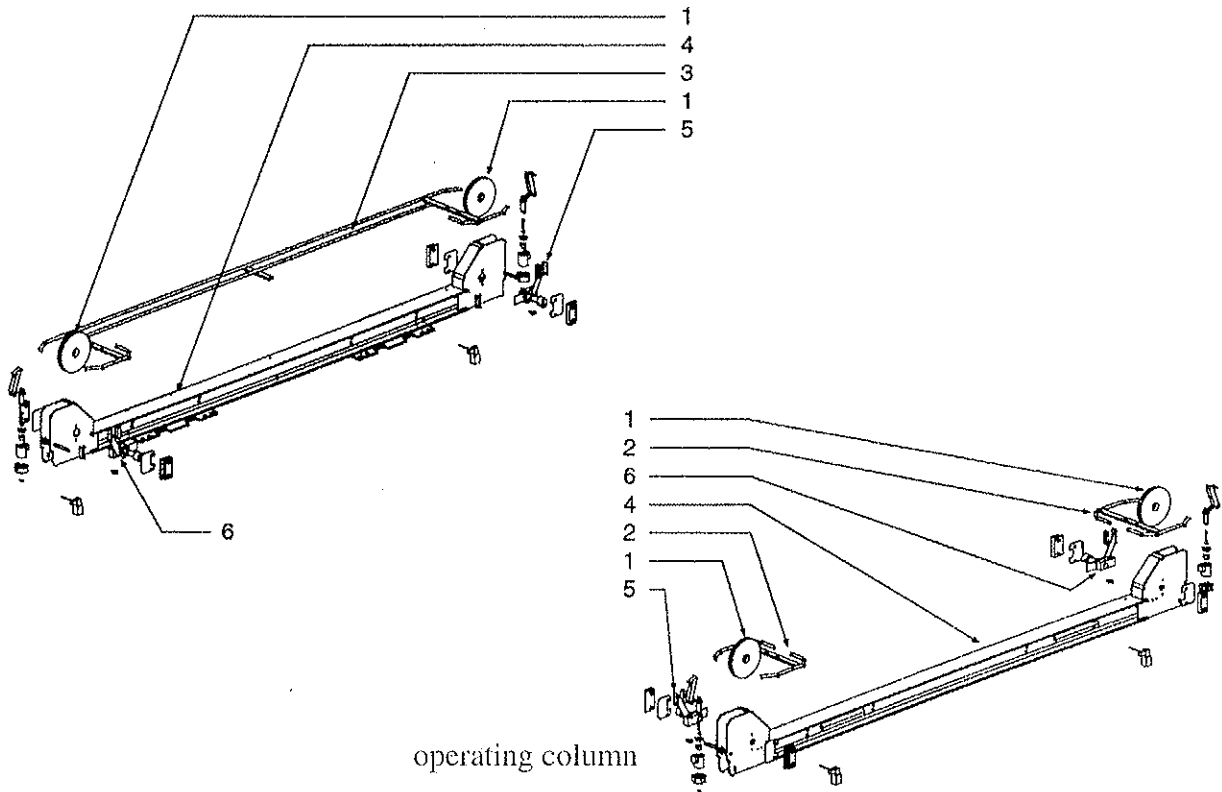
Nr.	Description	Code
1	column	430H05040
2	rope "Betalift" M 14 Ø 11	see pic. 3!
3	stopping rod (4 pieces)	430H05050
4	ratchet strip	430H05017
5	switch for announcement "ratchet unlocked"	990062
6	traverse	440H06003



pic. 4: limit switch 20 mm
liftheight

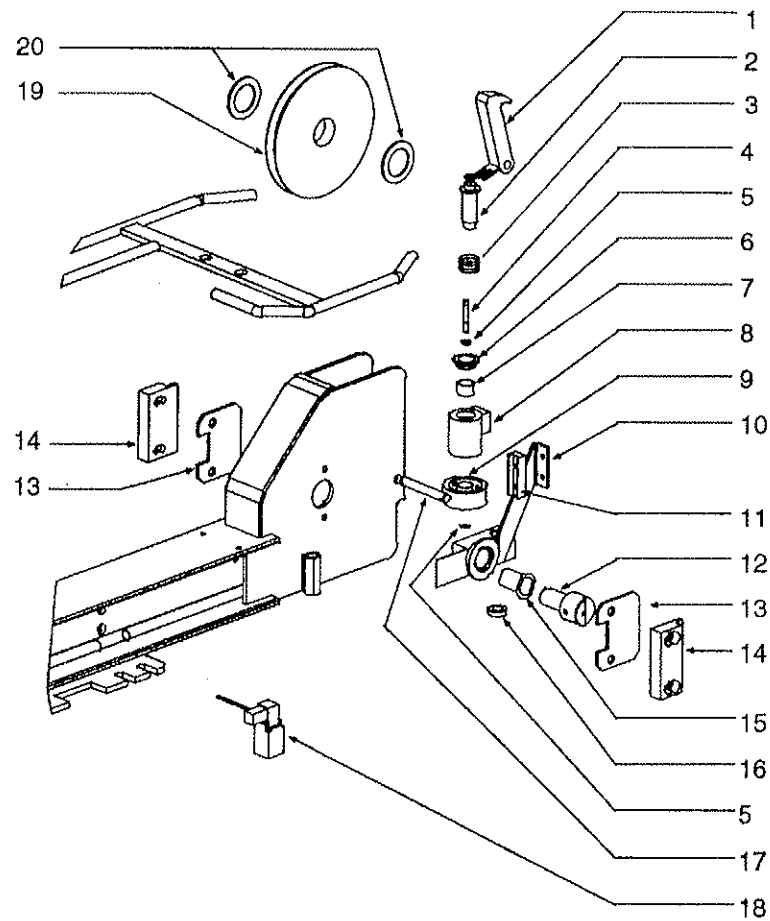
Nr.	Description	Code
1	operating column	430H05003
2	stopping rod (4 pieces)	430H05050
3	bottom limit switch	990053

Spare parts list Querträger complete



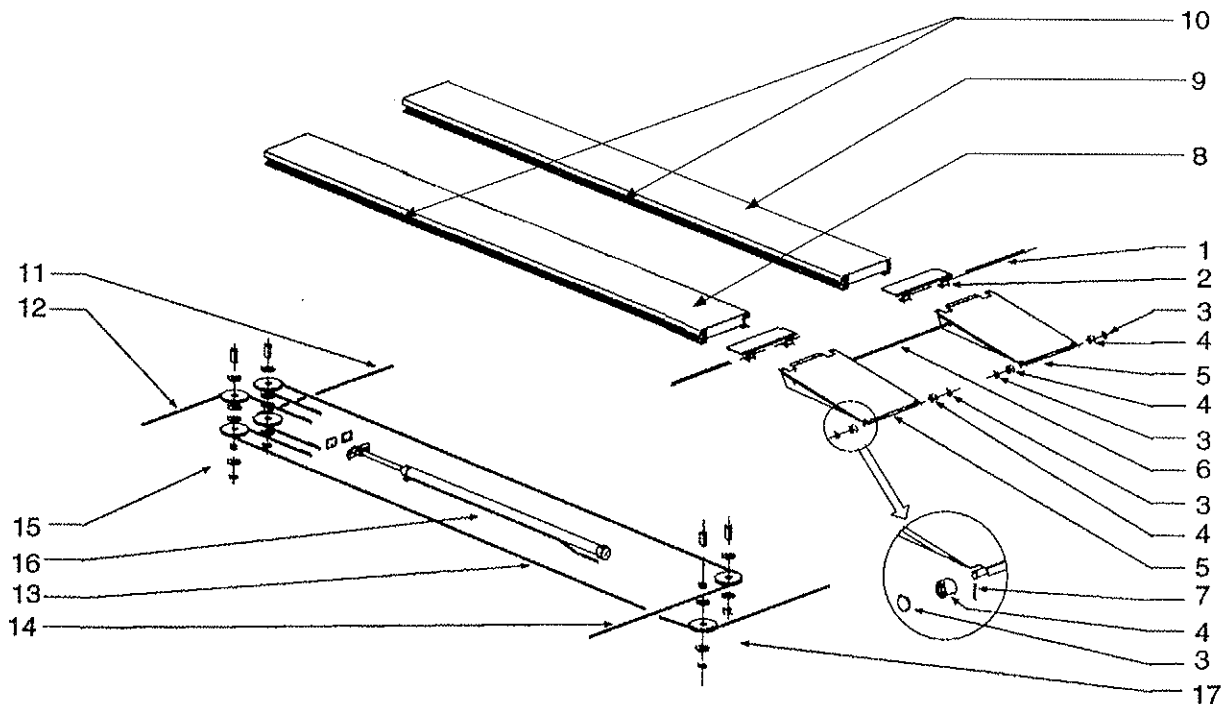
Nr.	Description	Code	number/lift
1	pulley	440H04005	9
2	foot protection short	440H06208	2
3	foot protection long	440H06212	1
4	traverse	440H06203	2
5	stopping plate	430H06081	2
6	stopping plate	430H06080	2

Spare parts list hanging up of traverse



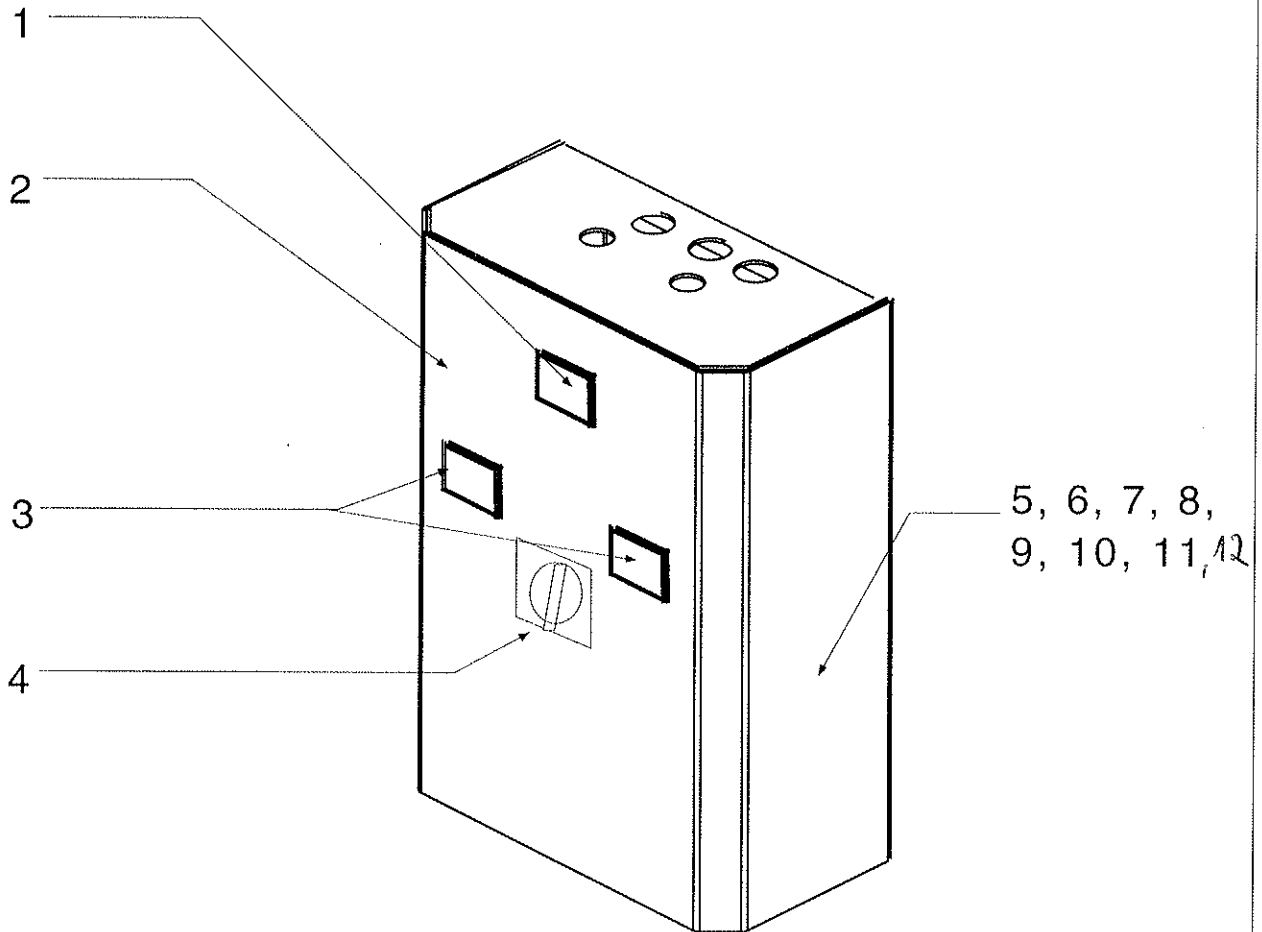
Nr.	Description	Code	number / lift
1	ratchet	225NEL30003	4
2	anchor	232POW03072	4
3	pressure spring	9DFD-1,25X25X30	4
4	anchor axle	232POW03075	4
5	washer	9SC125M06PA	8
6	guidance	232POW03069	4
7	DU-bearing	970167	4
8	driver unit system	990387	4
9	pole core	232POW03066	4
10	stopping plate	see spare parts list "traverse complete" Lfd.Nr. 5 + 6	
11	scanning bloc	430H06092	4
12	rope bolt	430H06018	4
13	circlip	430H06037	8
14	sliding bloc	970059	8
15	nyliner	970541	4
16	cutting ring	430H6095	4
17	ratchet bolt	430H06015	4
18	slack-rope switch	990003	4
19	pulley (synthetic)	440H04005	9
20	AS-washer	970560	18

Spare parts list runway and ramp



Nr.	Description	Code	number/ lift
1	round	440H08070	2
2	roll-back safety	440H08072	2
3	cover	440H08074	4
4	roll	440H08071	4
5	drive-on ramp	440H08063	2
6	foot-protection of ramp	440H08066S1	1
7	clamping sleeve	Ø 4 x 24 ZN	4
8	runway of power side	440H08003	1
9	runway of power take off side	440H08040	1
10	switch off strip	440H08050	
11	rope 4970 mm long	970503	1
12	rope 3465 mm long	970503	1
13	rope 10190 mm long	970503	1
14	rope 8690 mm long	970503	1
15	see spare parts list "rope-system 180°-deviation"		
16	see spare parts list "hydraulic cylinder"		
17	see spare parts list "rope-system 90°-deviation"		

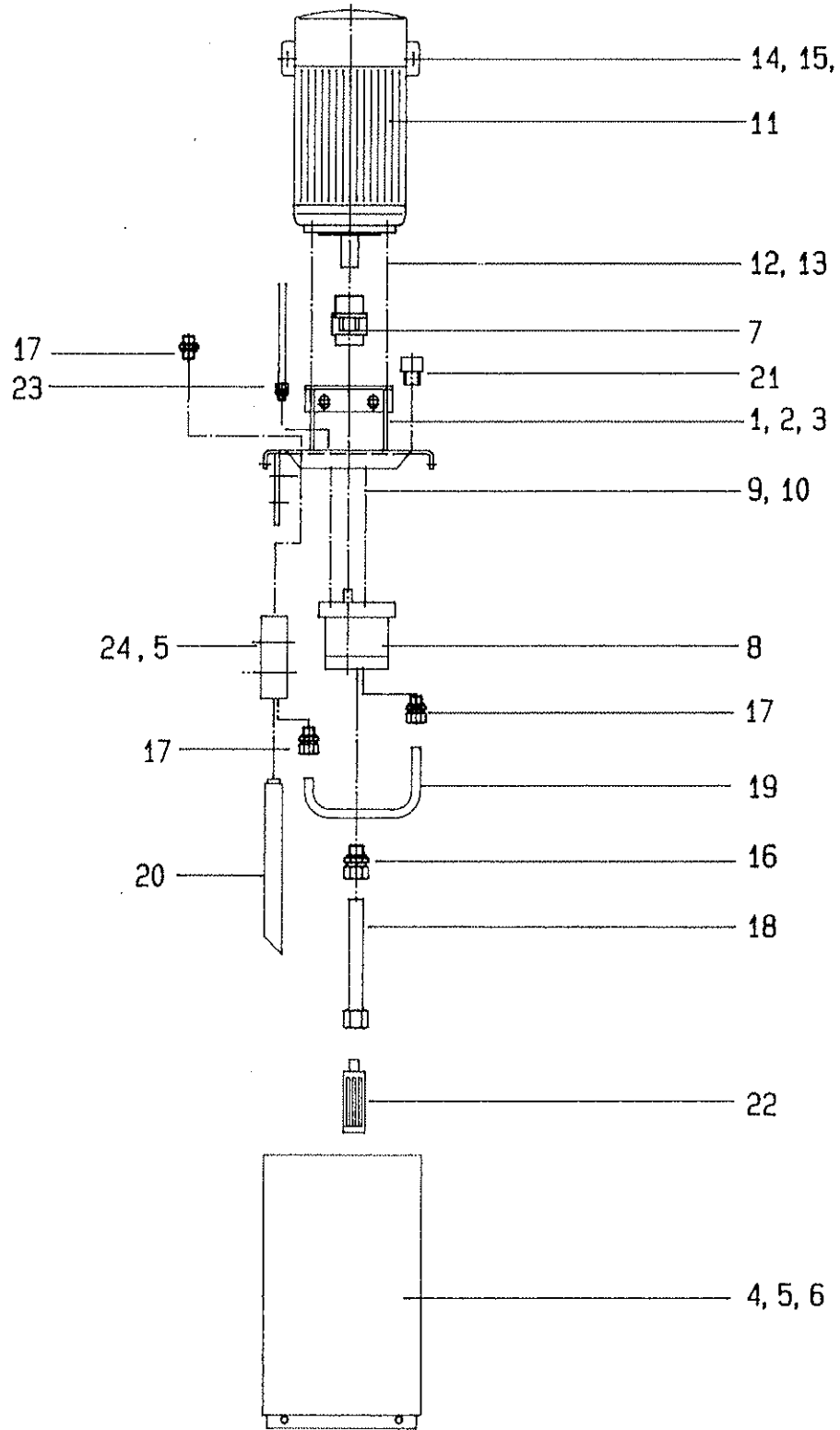
Spare parts list of electrical box



Nr.	Description	Code
1	pressure switch (green)	990335
2	PVC-cap electrical box	990321 430H03045
3	pressure switch (black)	990320
4	PVC-cap main switch	990321 990236
5	fuse carrier	990125)
6	time-lag fuse 5A	990299)
	safety fuse T 0,5 / 250 V	118036)
7	contactor BC 6-30-01 24 V DC	133206)
8	transformer MS 282 with rectifier	118035)
9	clamps	990022)
	protector clamps	990023)
10	key switch Q 18 S1	118313)
11	contact element E10	118314)
12	time-relays	990474)

in electrical box

Spare parts list of hydraulic aggregate



Spare parts list: hydraulic aggregate

Nr.	Description	Code
1	pump carrier	232POW21003
2	cylinder screw (107825)	9Z912M08*016ZN
3	split washer (112570)	9FR7980M08ZN
4	oil tank	232POW01010
5	countersunk screw	9SE7991M08*16
6	sealing tape	970409
7	coupling (116519)	970290
8	hydraulic pump 3ccm	980243
9	cylinder screw (112903)	9Z912M08*085ZN
10	split washer (112397)	9FR7980M08ZN
11	motor 3.0 KW	990303
12	cylinder screw	9Z912M06*016ZN
13	split washer	9FR7980M06ZN
14	cylinder screw	9Z912M08*016ZN
15	washer	9SC125M08ZN
16	male stud coupling	980135
17	male stud coupling	980014
18	tube	232POW01028
19	hydraulic tube (pump to hydraulic bloc)	232POW01029
20	hydraulic tube (bloc to tank;114587)	DIN 2391/C
21	vent screw	980098
22	oil filter	980201
23	male stud coupling	960025
24	control bloc complete (see control bloc)	232POW22037

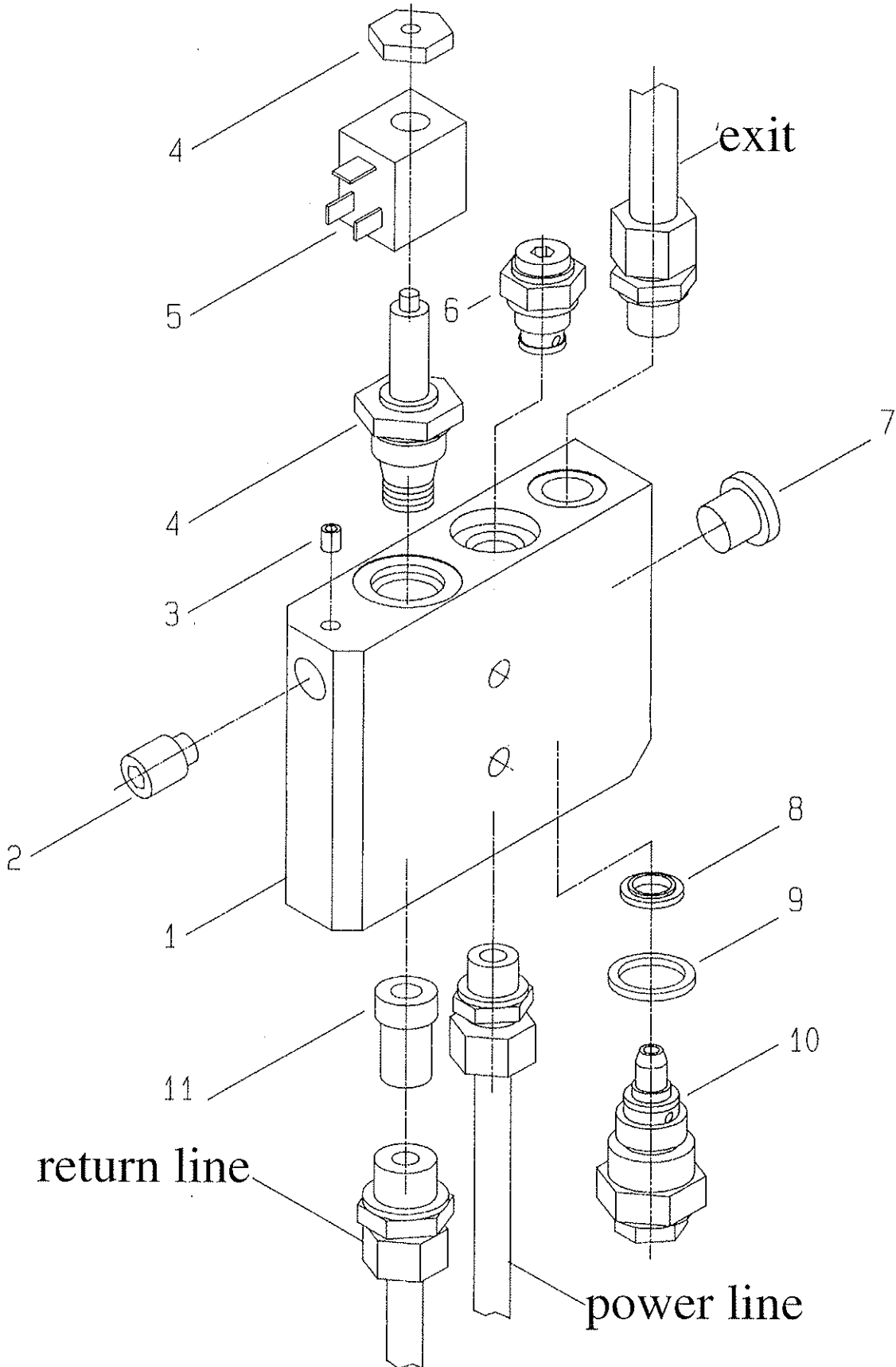
Spare parts list: hydraulic hoses

Nr.	Description	Code
1	high pressure hose	113874
2	socket	131266
3	nipple PN 08 AOL 90	131295
4	nipple PN 08 HL	131272
5	maximum pressure hose HD108; 2m	130631
6	socket PHN 108	131266
7	nipple with nut	131270
8	hydraulic tube	2.32 POW 01.030
9	hydraulic tube (weldless) 2,9 m	112734
10	nut	980064
11	cutting ring	980065

Spare parts list: hydraulic hoses (continuation)

Nr.	Description	Code
12	air pressure hose 6x12 mm	114507
13	socket I10-04	112514
14	nipple 90° PN 06 AOL 90	131274
15	threaded connection 15-01/L 8 RB	980490
16	cylinder screw M8x25	107807
17	T-piece	980071
18	elbow joint 15/1-29/L10V	114855

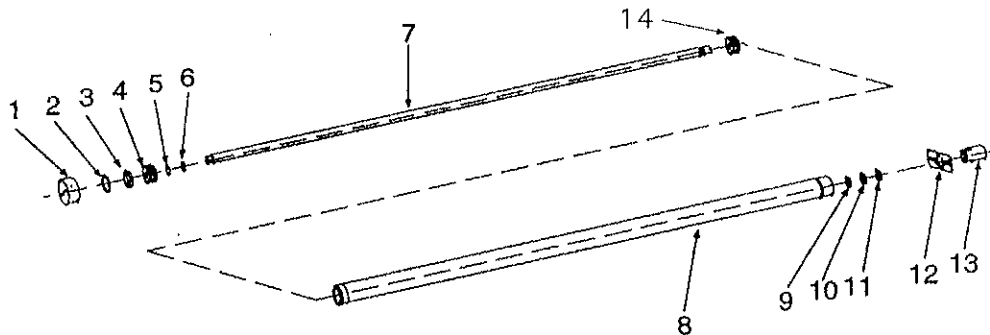
Spare parts list: control bloc



Spare parts list: control bloc

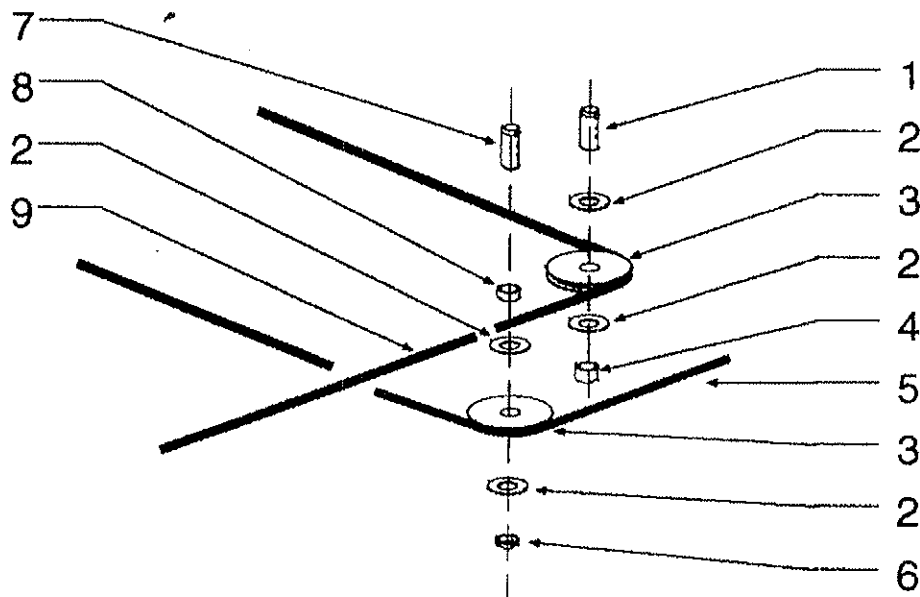
Nr.	Description	Code
1	control bloc	232POW22039
2	threaded pin with inside hexagon M 12x20 (112913)	9GS915M12*20ZN
3	threaded pin M5x10 (112854)	9GS914M05*10
4	magnetic valve	980478
5	coil	980630
6	holding valve	980480
7	screw plug	980096
8	USIT - ring	980240
9	O - ring	980108
10	pressure relief valve	232NSTL02082
11	countertorque lowering	980481
	control bloc complete	4.40 H 01.054

Spare parts list: hydraulic cylinder



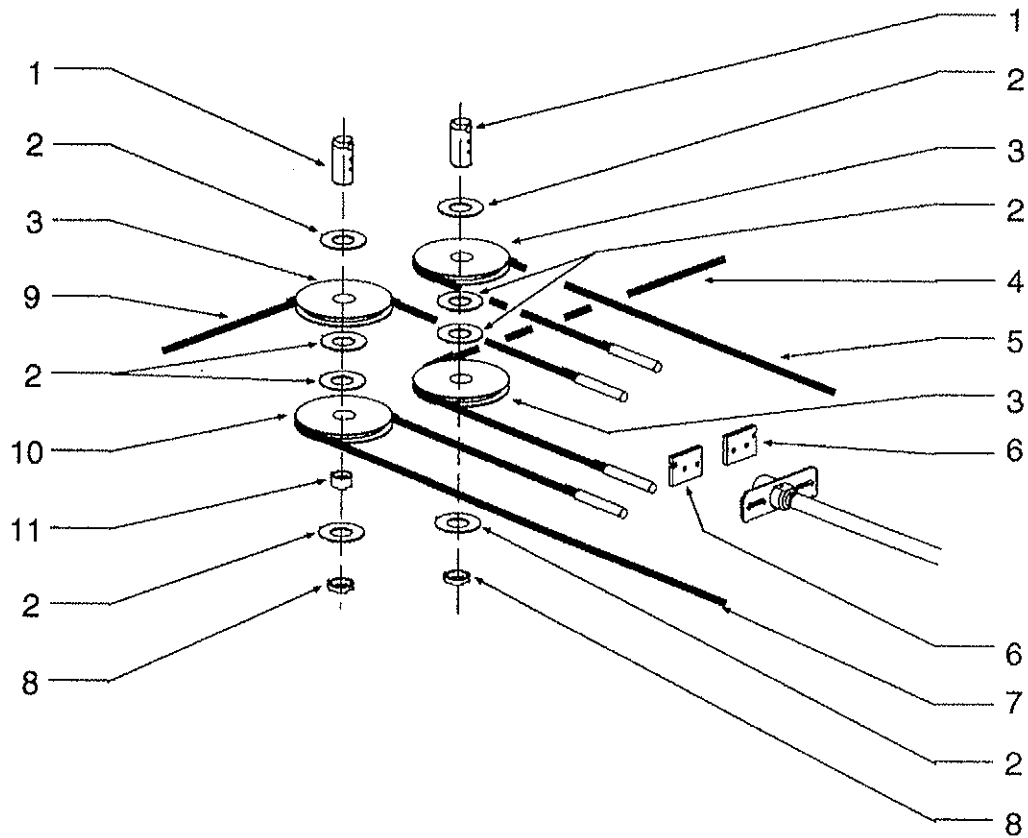
Nr.	Description	Code	number / lift
1	cylinder bottom	440H02013	1
2	nutring	980808	1
3	rotating band	980468	1
4	piston	440H02009	1
5	back-up ring	980505	1
6	O-Ring	980118	1
7	piston rod	430H02011	1
8	cylinder tube	430H02003	1
9	rotating band	980592	1
10	nut-ring	980506	1
11	wiper ring ASA 30-40-5/8	980604	1
12	torsion safety	440H02018	1
13	rope-adaptor	440H02015	1
14	guide bush	440H02012	1
	hydraulic cylinder complete	440H02000	1

Spare parts list: rope system 90°- deviation



Nr.	Description	Code	number / lift
1	pulley-bolt	430H08029	1
2	AS-washer	970560	18
3	rope (synthetic)	440H04005	9
4	distance ring (long)	440H08036	1
5	rope 10190 long Ø 9 mm	970502	1
6	distance ring (short)	440H08030	3
7	pulley-bolt	430H08028	1
8	distance ring (middle)	440H08033	1
9	rope 8690 long Ø 11 mm	970502	1

Spare parts list: rope system 180°-deviation



Nr.	Description	Code	number / lift
1	pulley-bolt	430H08027	1
2	AS-washer	970560	18
3	pulley (synthetic)	440H04005	9
4	rope 4970 long Ø 11 mm	970503	1
5	rope 8690 long Ø 11 mm	970503	1
6	sliding bloc	430H02021	2
7	rope 10190 long Ø 11 mm	970503	1
8	distance ring (short)	440H08030	3
9	rope 3465 long Ø 11 mm	970503	1
10	pulley (steal)	440H04004	1
11	slide bearing	970331	1