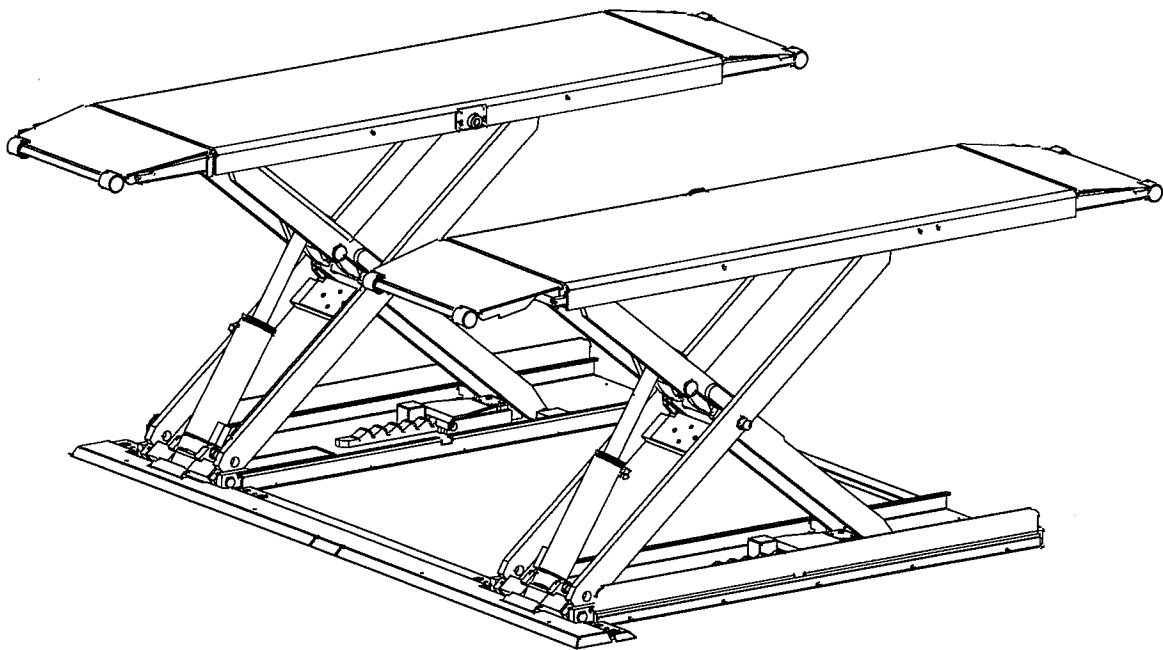


TUPBAUM

HEBETECHNIK

Sprinter-B 2500

valid: September 1994



Spare parts list

command unit frontside

command unit backside

bearings and coverings

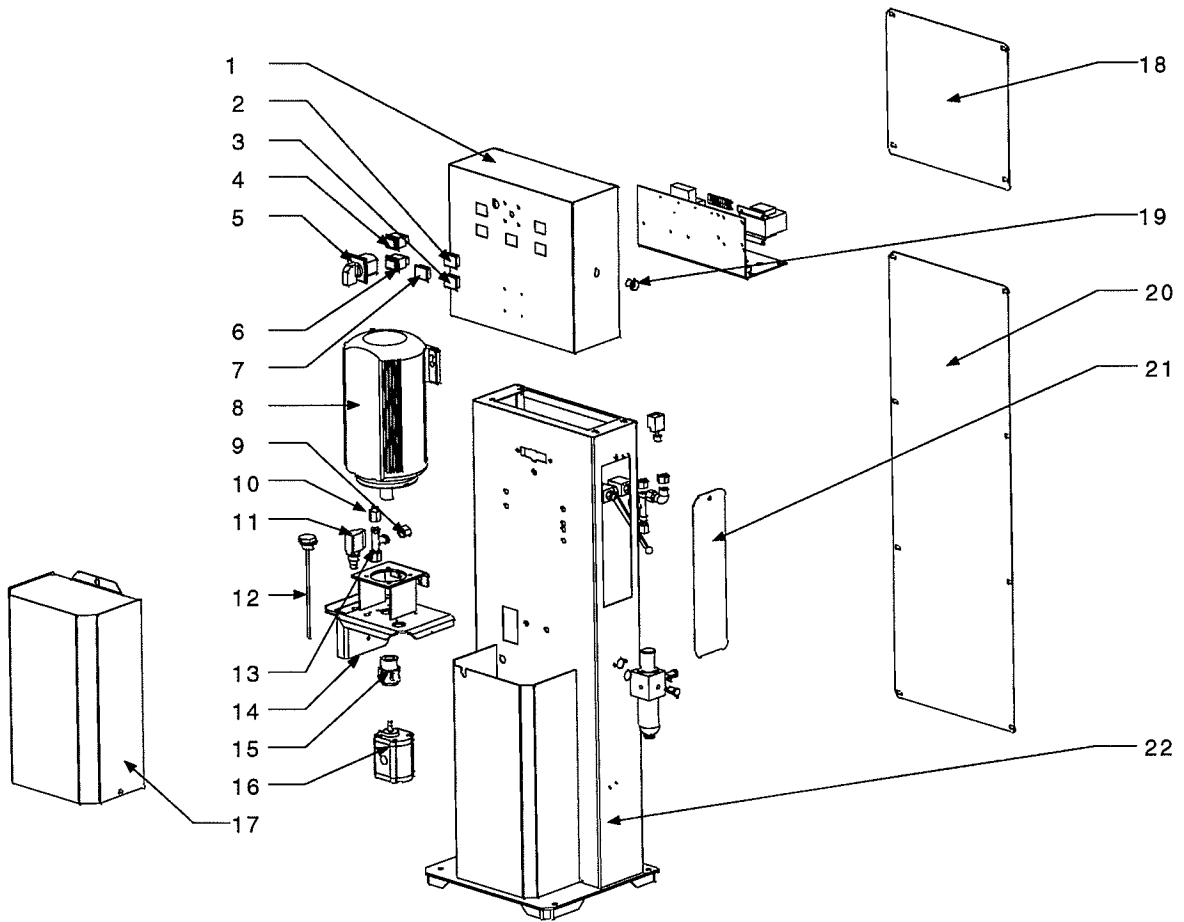
scissors

safety devices

drive-on rails

hydraulic cylinders

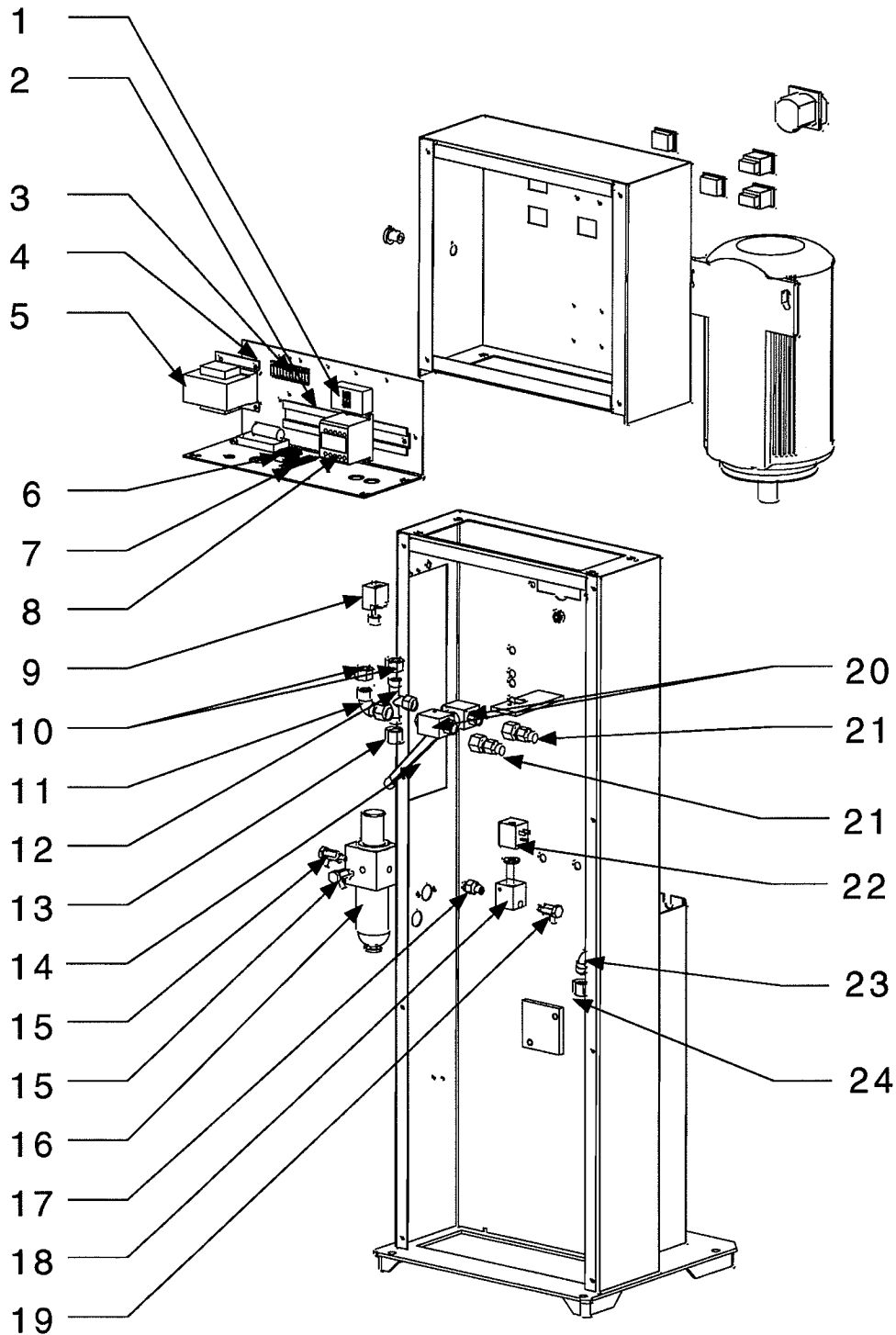
Spare parts list command unit frontside



Spare parts list command unit frontside

Number	Description	Code
1	command unit upper side, welding piece	030ULN21015
2	PVC-cap	990321
3	PVC-cap	990321
4	button "Up" T1	990334
5	main switch	990403
6	button "Down" T2	990334
7	PVC-cap	990321
8	Motor 380 V	990303
9	union nut	980208
10	closing cap	980072
11	JUNG-magnetic valve witch coil	980478 (valve) 980479 (coil)
12	oil level gage	980098
13	Male Stud Run Tee	980440
14	pump carrier, welding piece	030ULN01037
15	coupling	970290
16	gear pump 3ccm	980243
17	motor covering, welding piece	030ULN01025
18	covering, upper part	025SPR21019
19	fuse	990124
20	covering, lower part	025SPR21012
21	lid	030ULN01033
22	command unit, lower part, welding piece	040ULN01003

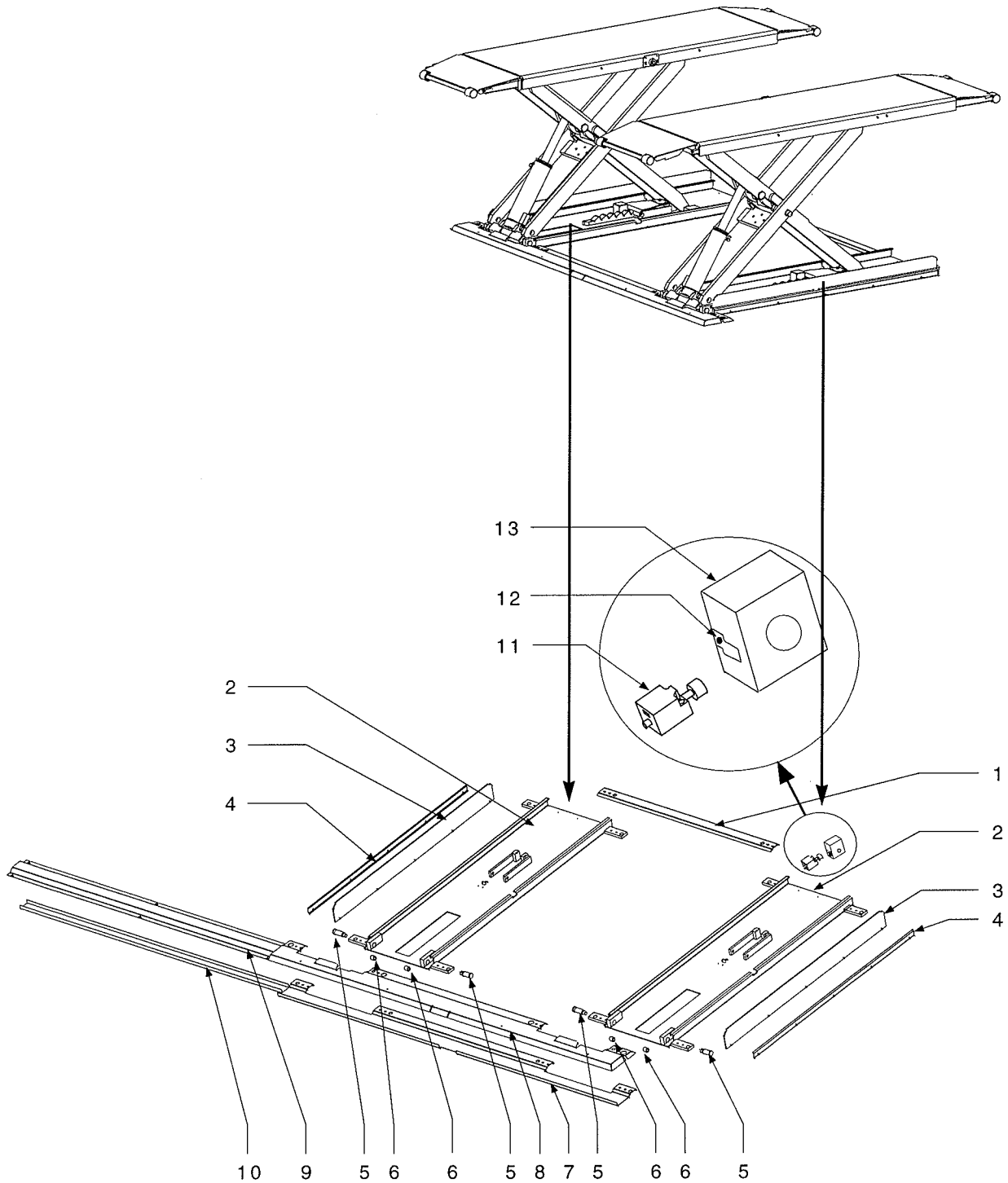
Spare parts list command unit backside



Spare parts list command unit backside

Number	Description	Code
1	time-relay	990212
2	carrying rail	990020
3	luster terminal	990037
4	sheet	040ULN03055
5	transformer witch rectifier	990319
6	binding post	990022
7	binding post of protective conductor	990023
8	Up conductor 24 V DSGL 7-01	990215
9	bypass switch	990296
10	union nut	980064
11	adjustable male stud elbow	980610
12	adjustable male stud branch tee	980016
13	union nut	980064
14	lever	PW070091559
15	banjo elbow coupling	960045
16	filter pressure relief valve	960039
17	soluble double nipple	960044
18	pneumatic valve	960047
19	banjo elbow coupling	960045
20	ball valve	980513
21	Standpipe reducer	980693
22	magnetic coil	960049
23	bulkhead elbow coupling	980489
24	union nut	980220

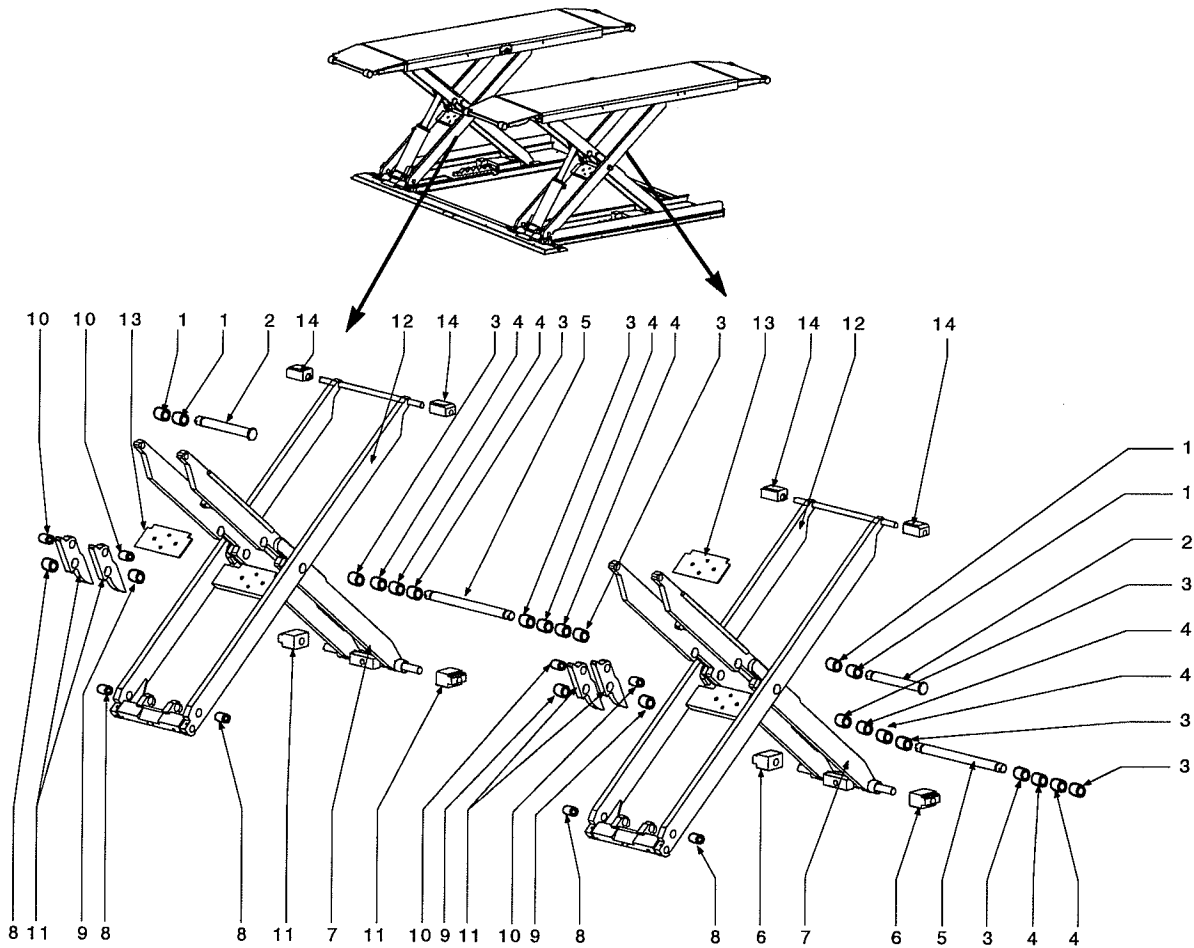
Spare parts list bearings and coverings



Spare parts list bearings and coverings

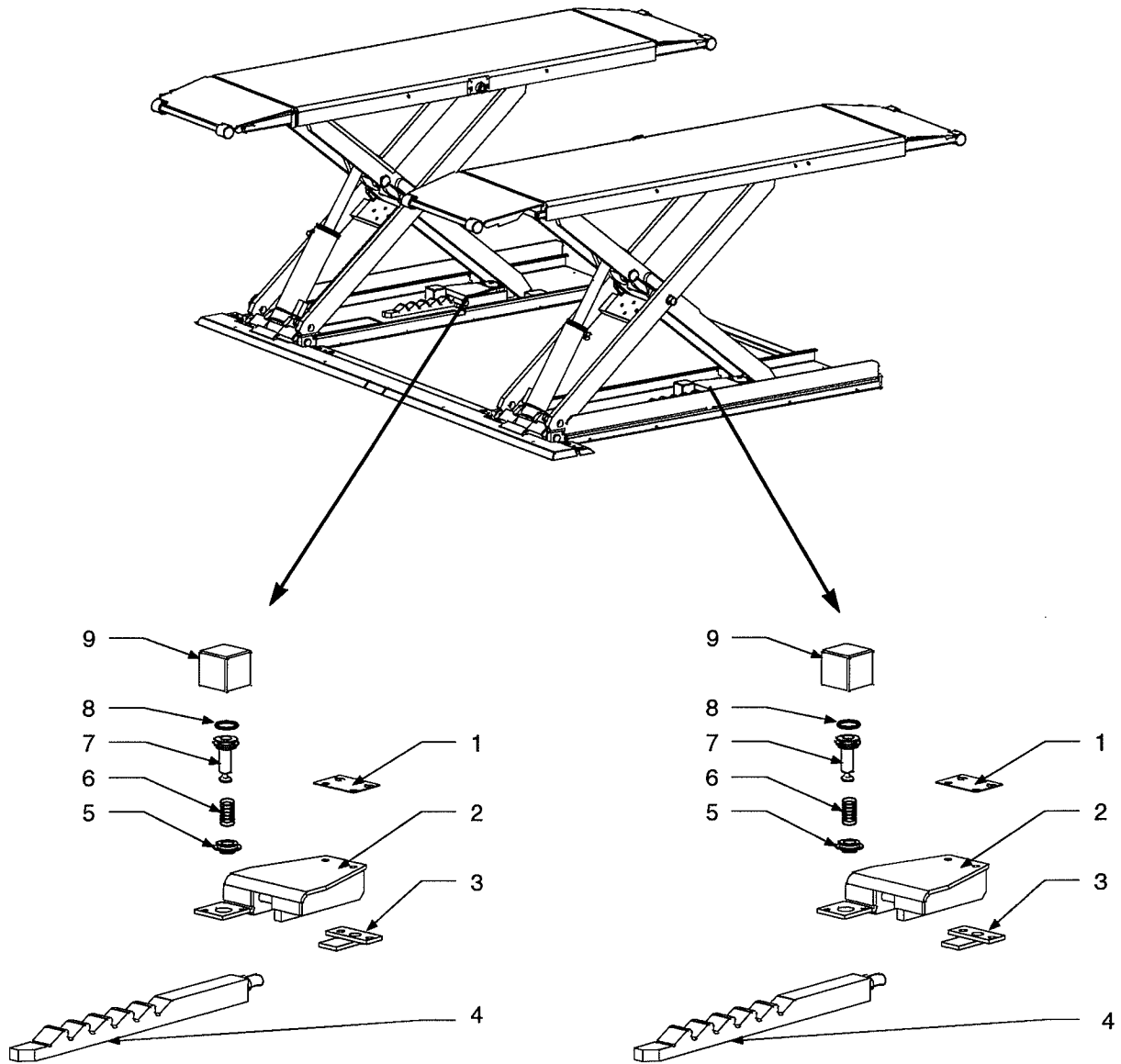
Number	Description	Code
1	traverse, backside	025SPR05050
2	base rail	025SPR05201
3	foot protector	025SPR09015
4	terminal strip	025SPR09012
5	bolt of fixed bearing	025KHB05012
6	slide bearing PAP 2020 P10	970065
7	traverse, frontside	025SPR05243
8	covering	025SPR09214
9	covering of hoses	025SPR09003
10	covering of hoses	025SPR09005
11	height limit switch	990004
12	catch spring	025SPR06050
13	slide block	025SPR06049

Spare parts list scissors



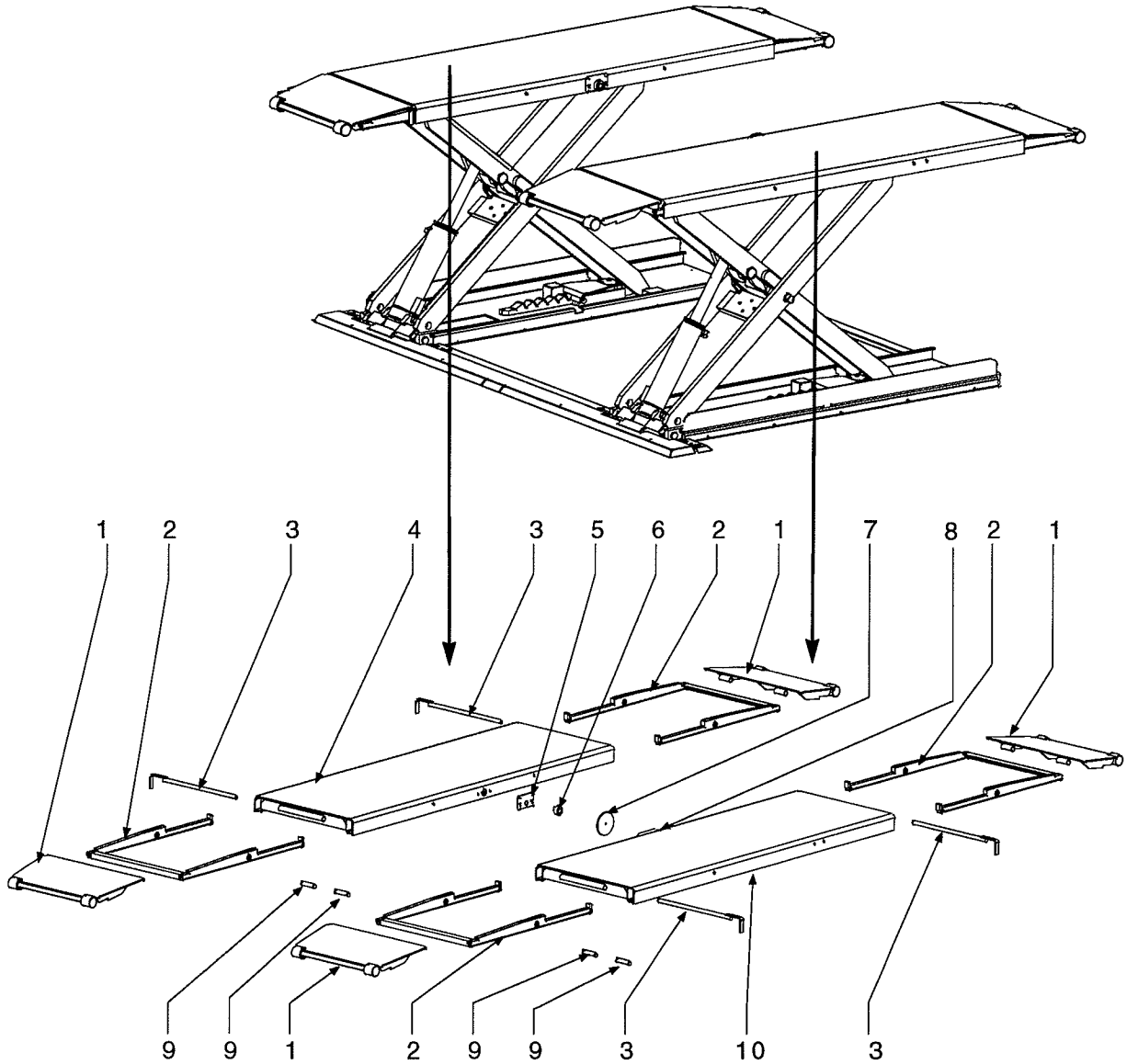
Number	Description	Code
1.	slide bearing PAP 2520 P10	970458
2.	bolt of cylinder lever	025KHB06057
3.	slide bearing PAP 2520 P10	970458
4.	slide bearing PAP 2515 P10	970459
5.	axis of middle joint	025KHB06027
6.	slide block bottom, outside	025SPR06049
7.	scissors, inside	025SPR06230
8.	slide bearing PAP 2020 P10	970065
9.	slide bearing PAP 2520 P10	970458
10.	slide bearing PAP 2020 P10	970065
11.	cylinder hanging-up	025SPR06253
12.	scissors, outside	025SPR06203
13.	forcing plate	025KHB06010
14.	slide block, upper side	025SPR06224

Spare parts list safety devices



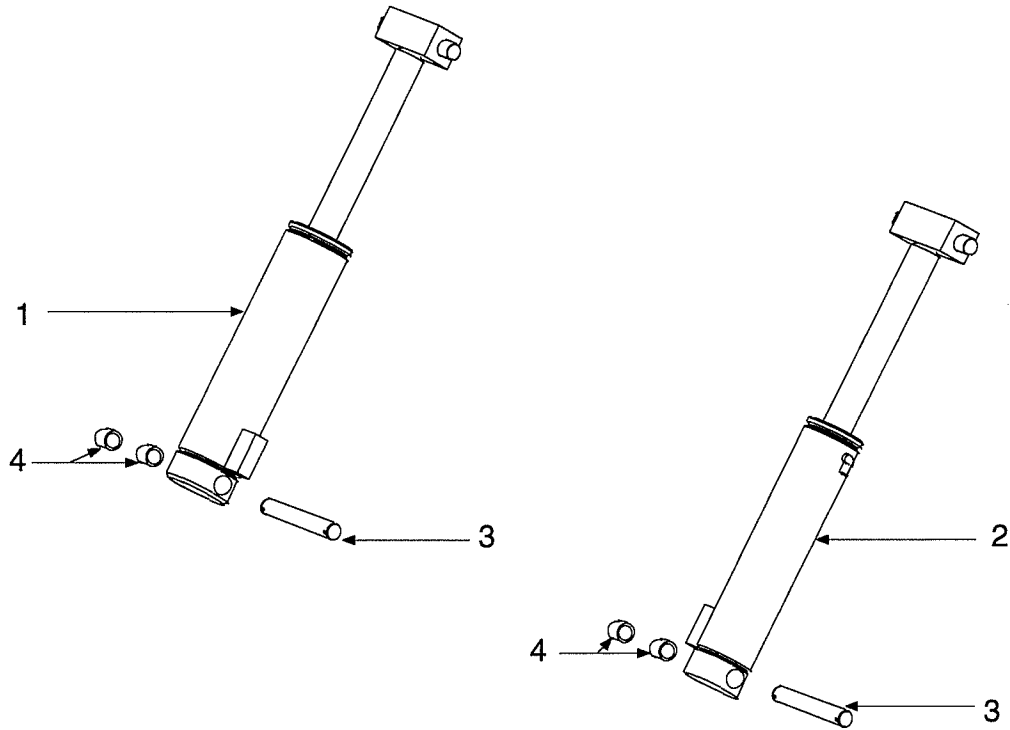
Number	Description	code
1	plate spring	025SPR10215
2	ratchet sheet	025SPR10321
3	lapping	025SPR10214
4	ratchet rod	025SPR10306
5	bearing bush	025SPR10031
6	compression spring	9DFD-VD232F; Fa. Gutekunst
7	pneumatic piston	025SPR10250
8	seal of pneumatic piston	PK 32 L2529-61642; Fa. Merkel
9	pneumatic cylinder case	960008

Spare parts list drive-on rails



Spare parts list drive-on rails

Nr.	Description	Code
1	drive-on ramp	025SPR08220
2	carrying arm	025SPR08030
3	bolt for clap	025SPR08050
4	drive-on rail, master side	025SPR08001
5	photocell sheet	025SPR08007
6	protection of photocell	025SPR08059
7	reflector	990030
8	protection of mirror	025SPR08040
9	bolt upper side	025SPR08017
10	drive-on rail slave side	025SPR08002
	Photo electric	990411

Spare parts list hydraulic cylinder

Nr.	Description	Code
1	cylinder master side, complete	025SPR02800
2	cylinder slave side, complete	025SPR02830
3	bolt of cylinder	025SPR02851
4	slide bearing PAP 2030 P 10	970457